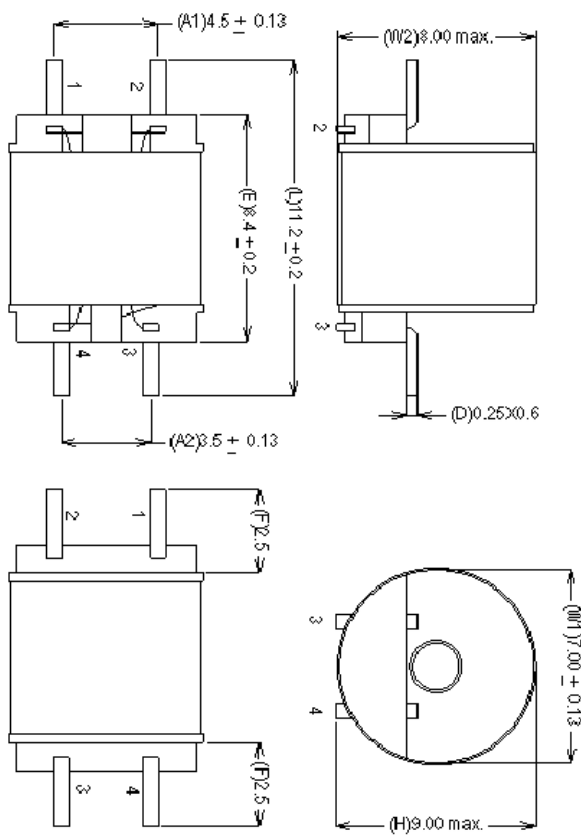


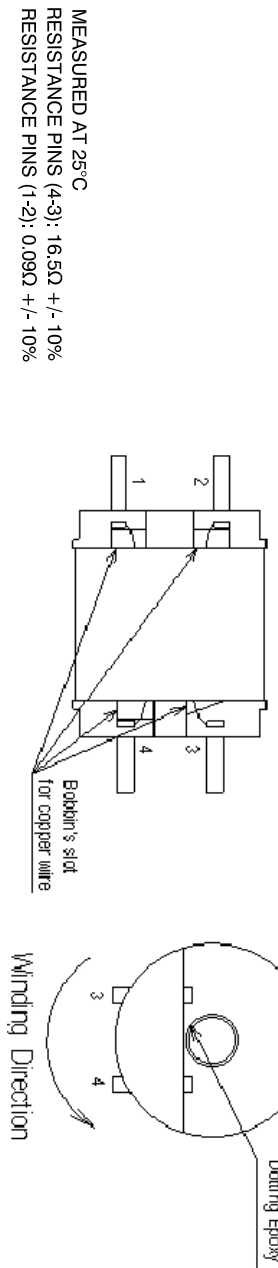
The information contained in this drawing is the sole property of Coil Winding Specialist. Any reproduction in part or whole without written permission of Coil Winding Specialist is prohibited.

REVISION HISTORY

REV	ECN	DESCRIPTION	BY	DATE	CHK	DATE
E	N/A	UPDATED MATERIAL SPEC.	JLU	01/15/16	AK	01/15/16



DIMENSION TOLERANCE	
A1	4.5 ± 0.13
A2	3.5 ± 0.13
D	0.25X0.6
E	8.4 ± 0.2
F	2.5
L	11.2 ± 0.2
W1	7.00 ± 0.13
W2	8.00 max.
H	9.00 max.



- 1 1KHz, 100mV MEASURED AT 25°C
- 2 INDUCTANCE PIN (4-3): 1.70 mH +/- 15% AT

- 3 AT 3mA, 1MIN
- 4 HI-POT 1000VDC FROM WINDING TO WINDING AND WINDINGS TO CORE

- 1 MATERIAL: UL RATED

NOTES: UNLESS OTHERWISE STATED, READ NOTES FROM BOTTOM UP

PARTS LIST

AUTOCAD SOLIDWORKS SIGN	X	SALES@COILWS.COM/ WWW.COILWS.COM	CMS Coil Winding Specialist. 353 W Grove Ave Orange, CA 92665
DATE	01/15/16	TITLE	SENSOR COILS
DRWN	AK	DATE	01/15/16
CHKD	JM	DATE	01/15/16
ENGR	JLU	DATE	01/15/16
APPR	JLU	DATE	01/15/16
SCALE	N/A	SIZE	1/16"
SCALE	N/A	REV	E
SHEET	1	OF	1