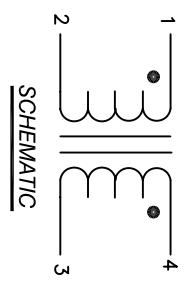


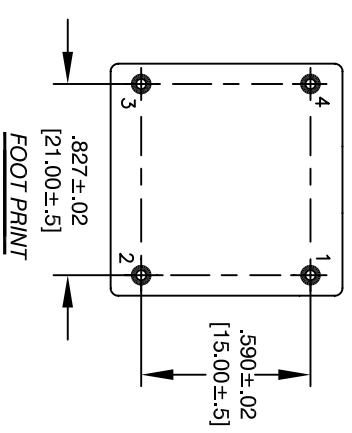
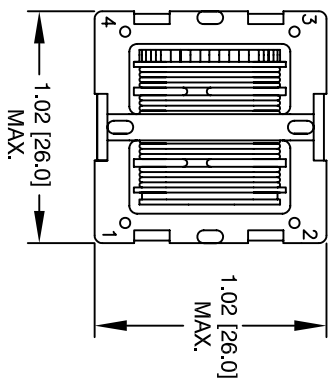
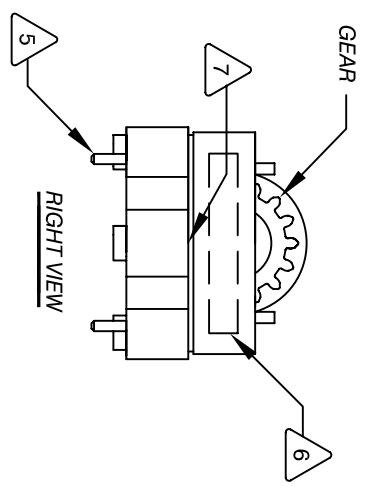
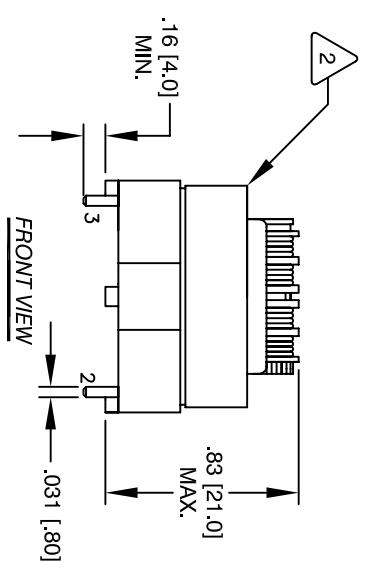
The information contained in this drawing is the sole property of Coil Winding Specialist, Inc. Any reproduction in part or whole without written permission of Coil Winding Specialist is prohibited.



- 8 WHERE SHOWN, USING A PERMANENT MARKING METHOD
- 7 EPOXY APPLIED ON BOTH SIDE TO HOLD BOBBIN, CORE, BASE WHERE SHOWN, USING A PERMANENT MARKING METHOD
- 6 MARK PART NUMBER AND REVISION APPROX
- 5 REMOVE INSULATION AND SOLDER TO BOBBIN LEADS
- 4 WIND BOTH COILS EVENLY SPACED ON BOBBIN CONSTRUCTION:

- 3 SPECIFICATIONS @ 25 °C
- WIRE: UL RECOGNIZED 130° RATED MAGNET WIRE
CWS BYTEMARK OR OTHER APPROVED PART
- 2 CORE: SINGLE PIECE FERRITE H CORE
- 1 BOBBIN RATING CLASS B (130°) REQUIRED
MATERIAL: UL RECOGNIZED 94V-0 FOR FLAMMABILITY

NOTES: UNLESS OTHERWISE SPECIFIED.



REVISION HISTORY		SIGN & DATE				
REV	ECN	DESCRIPTION	BY	DATE	CHK	DATE
A		PRODUCTION RELEASE	RPR	6/03/04	JLJU	6/03/04
B		ELECT., MECH. SPEC. CHN. NOTES ADD.	AK	4/3/13	BO	4/3/13

QTY	UM	CODE IDENT	MFG. P/N	DESCRIPTION	ITEM NO.
				PARTS LIST	
AUTOCAD SOLIDWORKS X					
DRWN	RRR	DATE	sales@coilws.com www.coilws.com		
ENGR	JLJU	6/03/04	Coil Winding Specialist, Inc. 353 W. Grove Ave. Orange, CA 92865		
APPR	JLJU	6/03/04	TITLE: Common Mode Line Filter Horizontal Mount		
UNLESS OTHERWISE SPECIFIED		DIMENSIONING AND TOLERANCE PER ANSI Y14.5M AND [MILLIMETERS]			
TOLERANCE INCHES:		∅ = ±0.30'			
TOLERANCE METRICS:		XXX ± 0.10 XX ± 0.15			
ANGLE PROJECTION		∠ = ±0.30'			
DO NOT SCALE DRAWING		SIZE (ING. NO.)			
		B 24H-24K			
		SCALE 1=1			
		SHEET 1 OF 1			