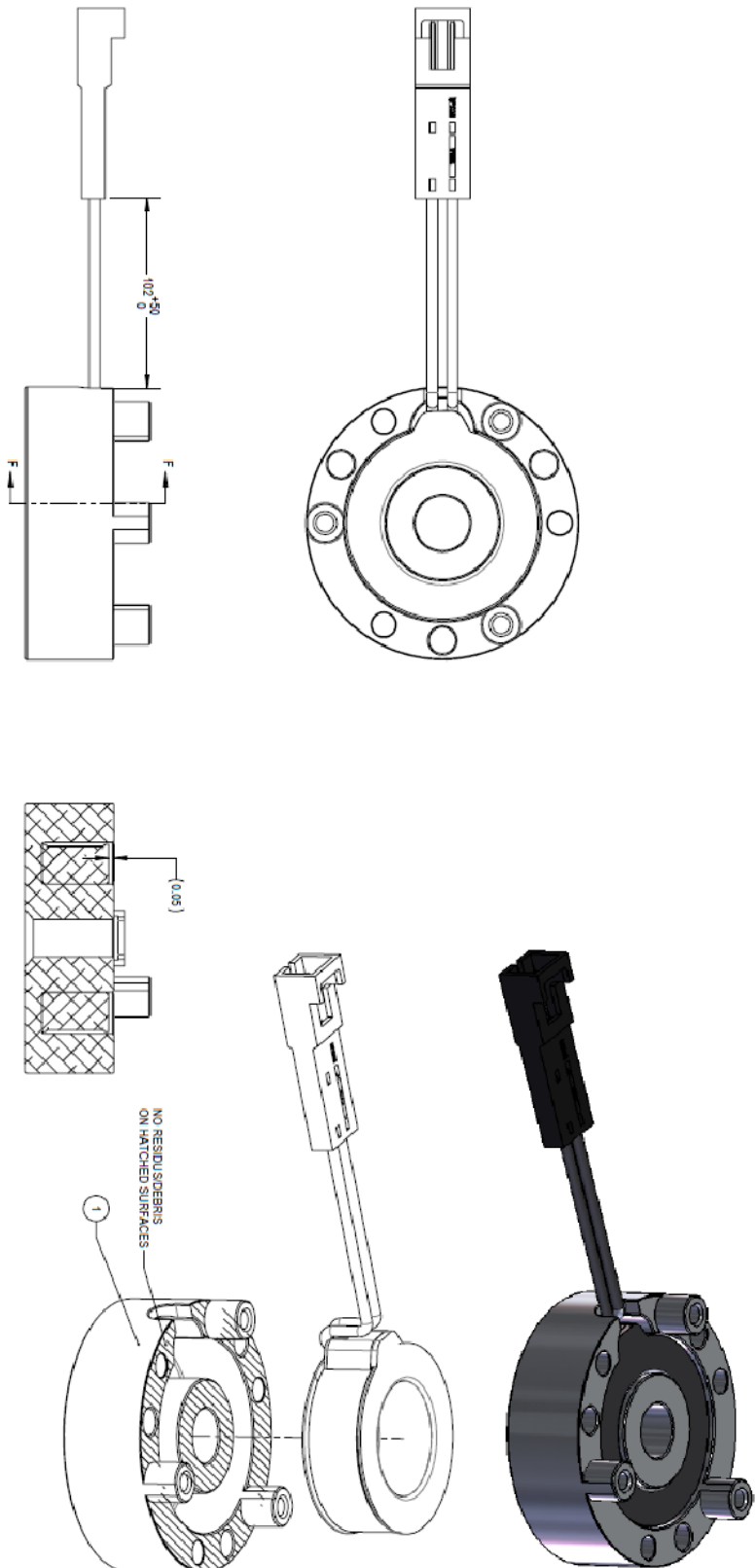


The information contained in this drawing is the sole property of Coil Winding Specialist. Any reproduction in part or whole without written permission of Coil Winding Specialist is prohibited.

REVISION HISTORY						
REV	ECN	DESCRIPTION	BY	DATE	CHK	DATE
D	N/A	DIMENSIONS CHANGED	JLU	6/16/15	AK	6/16/15



3 1300 TURNS, OPERATING CURRENT 0.20 +/-0.02 AMP

AWG#36

2 ALL DIMENSIONS ARE IN MILLIMETERS

1 MATERIAL: UL APPROVED

NOTES: UNLESS OTHERWISE STATED, READ NOTES FROM BOTTOM UP

EP FORM005 REV 3 (10/27/08)

UNLESS OTHERWISE SPECIFIED
DIMENSIONS ARE IN INCHES
TOLERANCES:
ANGULAR: +/- 1°
MACH: +/- .25° BEND +/- .50°
ONE PLACE DECIMAL +/- .03
TWO PLACE DECIMAL +/- .01
THREE PLACE DECIMAL +/- .005
RADIIUS +/- .01
FRACTIONAL +/- 1/16
DO NOT SCALE DRAWING

AUTOCAD		X		SALES@COILWS.COM/		CWS Coil Winding Specialist.	
SOLIDWORKS	SIGN	DATE	3/12/14	WWW.COILWS.COM	353 W Grove Ave	Orange, CA 92665	
DRWN	AK	DATE	3/12/14	TITLE:	RFI EMI COIL		
DESD	JM	DATE	3/12/14	SIZE	INCH. NO.		REV
ENGR.	JLU	DATE	3/12/14	SCALE	N/A		D
APPR.	JLU	DATE	3/12/14	SCALE	N/A		
				SHEET	1	OF	1

PARTS LIST

CAD-FILE: