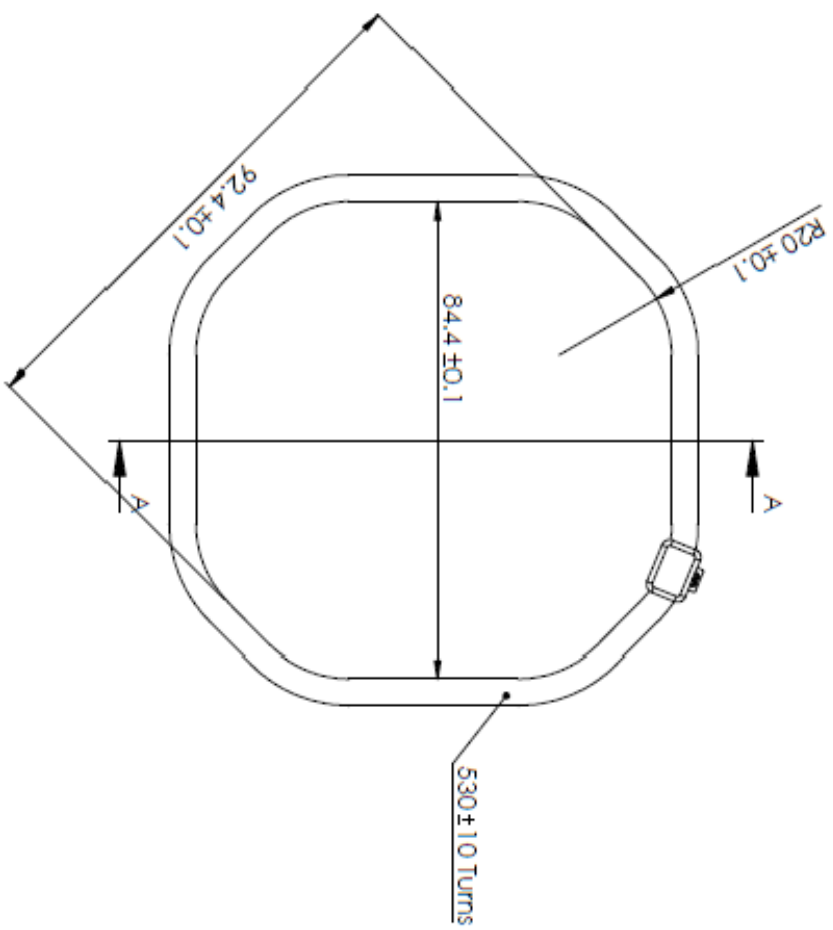


The information contained in this drawing is the sole property of Coil Winding Specialist. Any representation in part or whole without written permission of Coil Winding Specialist is prohibited.

REVISION HISTORY		SIGN & DATE				
REV	ECN	DESCRIPTION	BY	DATE	CHK	DATE
B	N/A	UPDATED MATERIAL SPEC.	JLU	6/17/14	AK	6/17/14



- MEASURED AT 25°C
- RESISTANCE: 121 Ohm
- 1KHz, MEASURED AT 25°C
- INDUCTANCE: 49 mH +/- 3% AT 250mV
- HOUSING DIGIKEY PN: WM1720-ND
- MOLEX PIN: WM1142CT-ND
- LEAD LENGTH: 33mm
- MW 29-C BONDABLE COPPER MAGNET WIRE.
- MATERIAL: 500 TURNS OF 33.5 GA.

NOTES: UNLESS OTHERWISE STATED, READ NOTES FROM BOTTOM UP

UNLESS OTHERWISE SPECIFIED  
DIMENSIONS ARE IN INCHES  
TOLERANCES:  
ANGULAR: +/- 1°  
MACH: +/- .25° BEND +/- .50°  
ONE PLACE DECIMAL +/- .03  
TWO PLACE DECIMAL +/- .01  
THREE PLACE DECIMAL +/- .005  
RADII +/- .01  
FRACTIONAL +/- 1/16  
DO NOT SCALE DRAWING

AUTOCAD		X		SALES@COILWS.COM/		CWS Coil Winding Specialist.	
SOLIDWORKS		SIGN		WWW.COILWS.COM		353 W Grove Ave Orange, CA 92665	
DRWN	AK	DATE	6/17/14	TITLE:	RFI EMI COIL		
DESD	JM	DATE	6/17/14	SIZE	INCH. NO.	CWS-05-12467	
ENGR.	JLU	DATE	6/17/14	SCALE	N/A	REV	B
APPR.	JLU	DATE	6/17/14	SCALE	N/A	SHEET	1 OF 1

PARTS LIST

