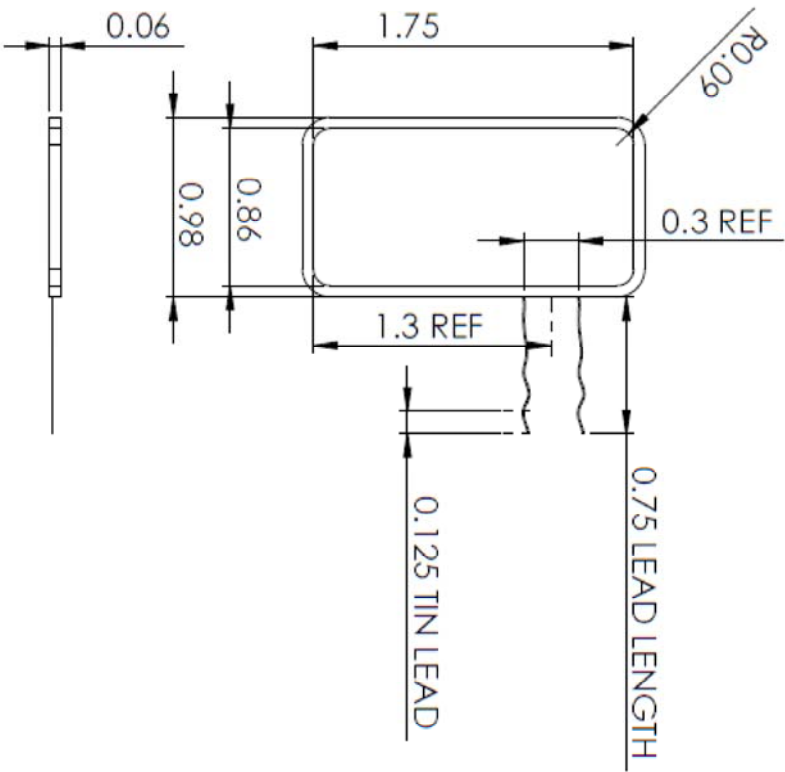


The information contained in this drawing is the sole property of Coil Winding Specialist. Any reproduction in part or whole without written permission of Coil Winding Specialist is prohibited.

REVISION HISTORY		SIGN & DATE				
REV	ECN	DESCRIPTION	BY	DATE	CHK	DATE
B	N/A	UPDATED MATERIAL SPEC.	JLU	3/12/14	AK	3/12/14



- MEASURED AT 25°C
- 4 RESISTANCE: 18.4-19.1 Ohm
- 125KHz, MEASURED AT 25°C
- 3 INDUCTANCE: 789.0 uH +/- 3% AT 1/8" IN.
- 3/4" TIN LEADS APPROXIMATELY LEAD LENGTH APPROXIMATELY
- 2 MW 29-C BONDABLE COPPER MAGNET WIRE.
- 1 MATERIAL: 94 TURNS OF 36 GA.

NOTES: UNLESS OTHERWISE STATED, READ NOTES FROM BOTTOM UP

UNLESS OTHERWISE SPECIFIED
DIMENSIONS ARE IN INCHES
TOLERANCES:
ANGULAR: +/- 1°
MACH: +/- .25° BEND +/- .50°
ONE PLACE DECIMAL +/- .03
TWO PLACE DECIMAL +/- .01
THREE PLACE DECIMAL +/- .005
RADIIUS +/- .01
FRACTIONAL +/- 1/16

PARTS LIST		TITLE	
AUTOCAD	X	SALES@COILWS.COM	CWS Coil Winding Specialist.
SOLIDWORKS		WWW.COILWS.COM	353 W Grove Ave Orange, CA 92665
DRWN	AK	3/12/14	
DESD	JM	3/12/14	
ENGR	JLU	3/12/14	
APPR	JLU	3/12/14	
SIZE	TIME	NO.	
N/A			CWS-06-12068
SCALE			
N/A			
SHEET	1	OF	1
REV			B