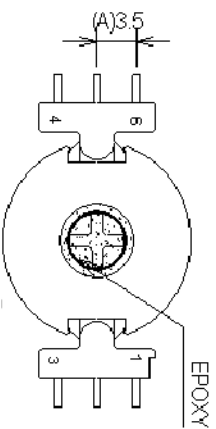
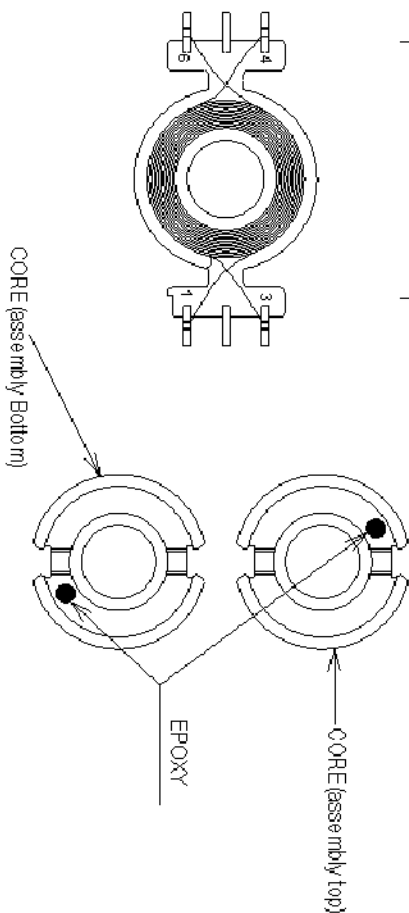
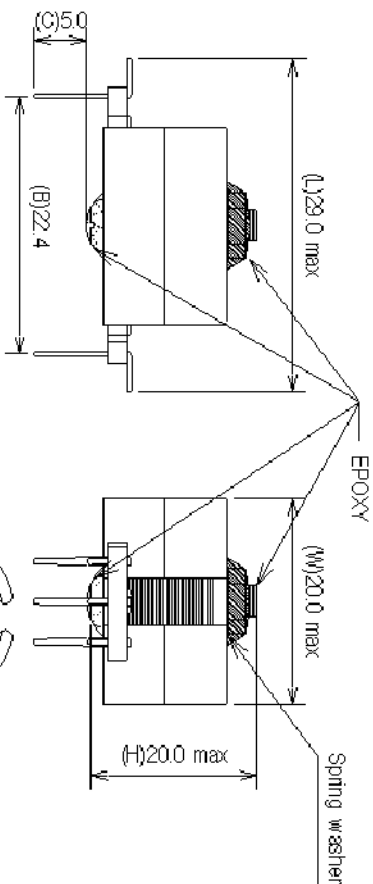


The information contained in this drawing is the sole property of Coil Winding Specialist. Any reproduction in part or whole without written permission of Coil Winding Specialist is prohibited.



- 4 MEASURED AT 25°C
RESISTANCE: 320 mΩ MAX
- 3 10KHz, MEASURED AT 25°C
INDUCTANCE: 3.70 mH +/- 0.6mH AT
- 2 FROM CORE TO WIRE AT 1mA, 1MIN
HI-POT 1500VAC
- 1 MATERIAL: UL RATED

NOTES: UNLESS OTHERWISE STATED, READ NOTES FROM BOTTOM UP

EP FORM0005 REV 3 (10/27/08)

REVISION HISTORY		SIGN & DATE				
REV	ECN	DESCRIPTION	BY	DATE	CHK	DATE
C	N/A	UPDATED MATERIAL SPEC.	JLU	10/21/08	AK	10/21/08

DIMENSION TOLERANCE	
A	3.50
B	22.40
C	5.0+1
L	29.0 max.
W	20.0 max.
H	20.0 max.

PARTS LIST

UNLESS OTHERWISE SPECIFIED		DIMENSIONS ARE IN INCHES	
TOLERANCES:	FRAC.	DEC.	FRACTIONAL
ANGULAR:	+/- 1°	MACH/-.25° BEND	+/- .50°
ONE PLACE DECIMAL	+/- .01	TWO PLACE DECIMAL	+/- .005
THREE PLACE DECIMAL	+/- .01	RADIUS	+/- .1/16
DO NOT SCALE DRAWING			

AUTOCAD SOLIDWORKS SIGN	DATE	SALES@COILWS.COM/ WWW.COILWS.COM	CWS Coil Winding Specialist. 353 W Grove Ave Orange, CA 92665
AK	10/21/08		
JM	10/21/08		
JLU	10/21/08		
JLU	10/21/08		

TRANSFORMER

CWS-1811-77

CAD-FILE: