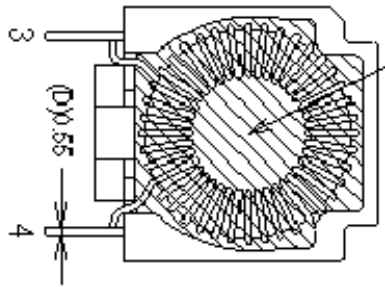
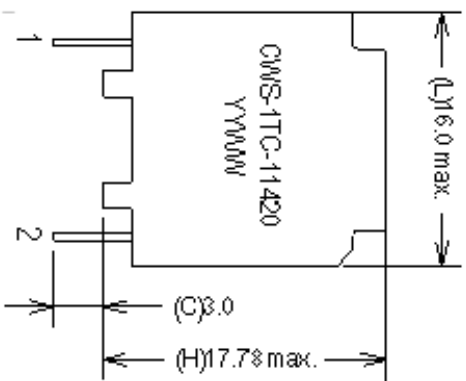
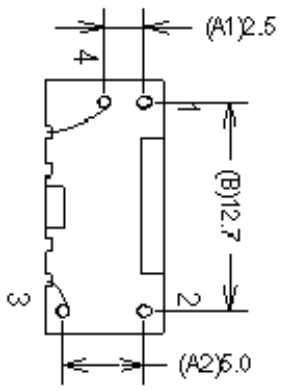
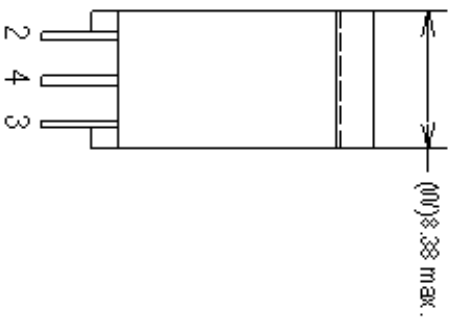


The information contained in this drawing is the sole property of Coil Winding Specialist. Any reproduction in part or whole without written permission of Coil Winding Specialist is prohibited.

Potting epoxy:  
TH166A/B



DIMENSION TOLERANCE	
A1	2.50
A2	5.00
B	12.7
C	3.00
D	0.60
L	16MAX
W	8.38MAX
H	17.78 MAX



Bottom View

- 1 MEASURED AT 25°C
- 2 RESISTANCE: 250 mΩ MAX
- 3 1KHz, 250mV AT ROOM TEMP 25°C
- 4 INDUCTANCE: 220.0 μH +/- 20% AT

AT 500VDC, 2mA, 2S  
HI-POT FROM WINDING TO CORE  
MATERIAL: UL APPROVED

NOTES: UNLESS OTHERWISE STATED, READ NOTES FROM BOTTOM UP

REVISION HISTORY		SIGN & DATE				
REV	ECN	DESCRIPTION	BY	DATE	CHK	DATE
A	N/A	RELEASE TO PRODUCTION	JLW	07/24/12	AK	07/24/12

PARTS LIST

AUTOCAD SOLIDWORKS SIGN	DATE	SALES@COILWS.COM/ WWW.COILWS.COM	CWS Coil Winding Specialist. 353 W Grove Ave Orange, CA 92665
AK	07/24/12		
JM	07/24/12		
JLW	07/24/12		

FILTER INDUCTOR

APPR.	DATE	SIZE	TRK. NO.	REV
JLW	07/24/12	N/A	CWS-1TC-11420	A