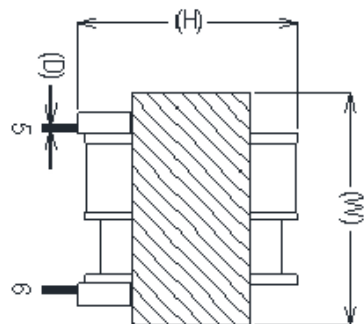
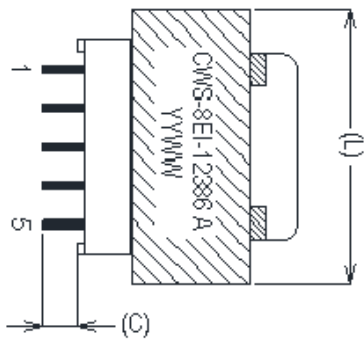
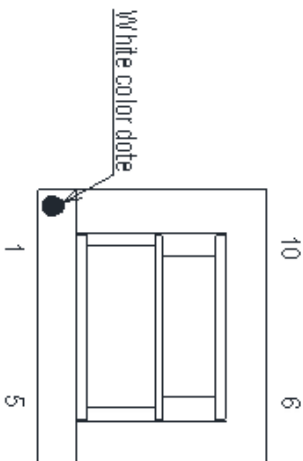
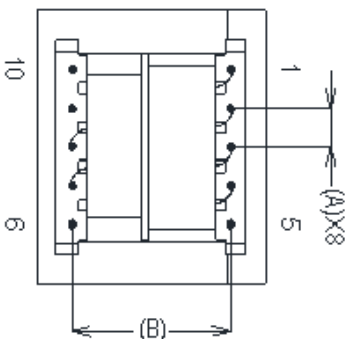


The information contained in this drawing is the sole property of Coil Winding Specialists. Any reproduction in part or whole without written permission of Coil Winding Specialists is prohibited.

REVISION HISTORY		BY	DATE	CHK	DATE
REV	ECN	DESCRIPTION			
A	N/A	RELEASE TO PRODUCTION		JLW	2/19/14
				AK	2/19/14



A	5.0 ± 0.3
B	21.0 ± 0.5
C	4.5 ± 0.5
D	1.00Φ
L	37.0 max.
W	32.0 max.
H	31.0 max.



Bottom View

Top View

- WINDINGS TO CORE: 1.5KVac 1mA 2S
- PRIMARY TO SECONDARY: 3.0KVac 1mA 2S
- H.I.POT: AT 1mA, 2S
- D I(1-4) = 37mA max.
- C EXCITING CURRENT: V1(1-4) = AC 240 / 50HZ.
- V2(7-8) = AC 215V +/- 5%
- V3(1-3) = AC 120V +/- 5%
- V2(1-2) = AC 100V +/- 5%
- B OUTPUT VOLTAGE: AT NO LOAD
- V1(1-4) = 240VAC
- A INPUT VOLTAGE: 50HZ

NOTES: UNLESS OTHERWISE STATED, READ NOTES FROM BOTTOM UP

EP FORM005 REV 3 (10/27/08)

PARTS LIST

AUTOCAD	SIGN	DATE	TITLE	SIZE	DATE	REV
X		2/19/14	TRANSFORMER	N/A	2/19/14	A
SOLIDWORKS		2/19/14		N/A		
				N/A		

CAD-FILE:

SHEET 1 OF 1