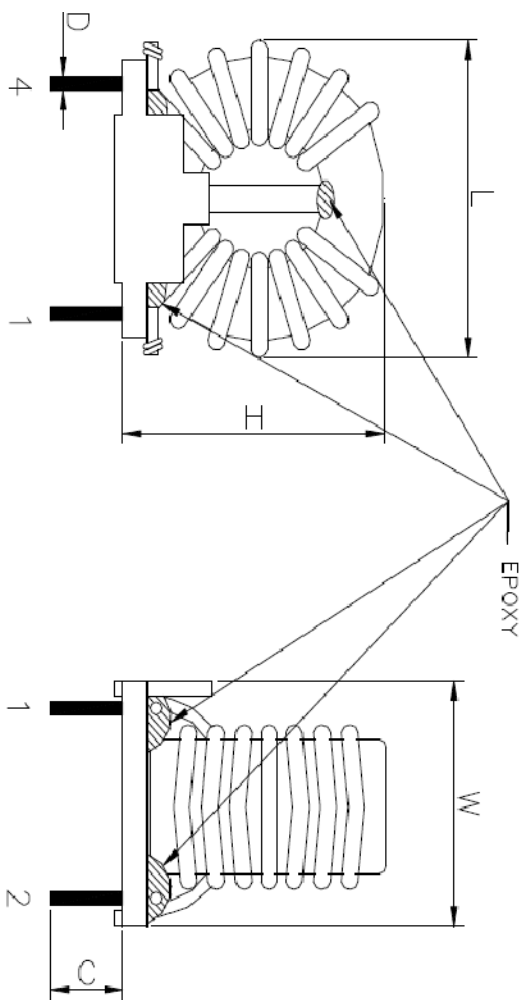


The information contained in this drawing is the sole property of Coil Winding Specialist. Any reproduction in part or whole without written permission of Coil Winding Specialist is prohibited.



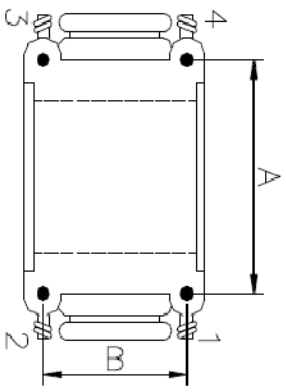
REVISION HISTORY		SIGN & DATE				
REV	ECN	DESCRIPTION	BY	DATE	CHK	DATE
E	N/A	UPDATED MATERIAL SPEC.	JLU	5/19/14	AK	5/19/14

**DIMENSION TOLERANCE**

A	22.9+/-0.5
B	15.2+/-0.5
C	5.0+/-1
D	Φ1.2
L	40max.
W	22 max.
H	39 max.

**MEASUREMENTS**

- 1 MEASURED AT 25°C
  - 2 RESISTANCE: 80 mΩ
  - 3 1KHz, MEASURED AT 25°C
  - 4 INDUCTANCE: 80 uH MIN AT
- FROM CORE TO WIRE AT 1mA, 1S  
HI-POT 2500VAC
- MATERIAL: UL RATED



NOTES: UNLESS OTHERWISE STATED, READ NOTES FROM BOTTOM UP

EP FORM0005 REV 3 (10/27/08)

UNLESS OTHERWISE SPECIFIED  
DIMENSIONS ARE IN INCHES  
TOLERANCES:  
ANGULAR: +/- 1°  
MACH +/- .25° BEND +/- .50°  
ONE PLACE DECIMAL +/- .01  
TWO PLACE DECIMAL +/- .005  
THREE PLACE DECIMAL +/- .01  
RADIUS +/- .01  
FRACTIONAL +/- 1/16

DO NOT SCALE DRAWING

AUTOCAD		SIGN		DATE		TITLE	
SOLIDWORKS						SALES@COILWS.COM/ 353 W Grove Ave Orange, CA 92665	
AK				5/19/14		PARTS LIST	
JM				5/19/14		EMI CHOKE	
JLU				5/19/14		CWS-CMN-12207	
JLU				5/19/14		SIZE TIME NO. N/A	
						SCALE N/A	
						SHEET 1 OF 1	

CAD-FILE: