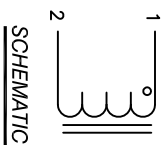
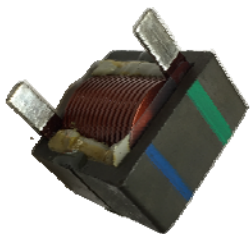


The information contained in this drawing is the sole property of CWS Coil Winding Specialist. Any reproduction in part or whole without written permission of CWS Coil Winding Specialist is prohibited.



REVISION HISTORY		SIGN & DATE				
REV	ECN	DESCRIPTION	BY	DATE	CHK	DATE
B		REVISED DIMENSIONAL TOLERANCES	KLC	11/5/09	AK	11/5/09
B1		UPDATED SPECIFICATIONS	SH	2/01/11	JLJU	2/01/11
C	130923	ADD ELECTRICAL CHANGE EPOXY REMOVE PERMANENT MARKING	AK	9/23/13	BO	9/23/13
C1	130923	UPDATED DESCRIPTION AND ADDED DC BIAS	JL	7/13/17	JLJU	7/13/17

7 BUILT TO ROHS COMPLIANCE

6 LABEL PART NUMBER AND REVISION WHERE SHOWN

5 VANISH PART AND CURE
APPLY SILICON WHERE SHOWN

4 WRAP TAPE AROUND CORES
WITH CORES AND MYLAR SPACERS
ASSEMBLE PRE FORMED FLAT HELICAL COIL
CONSTRUCTION

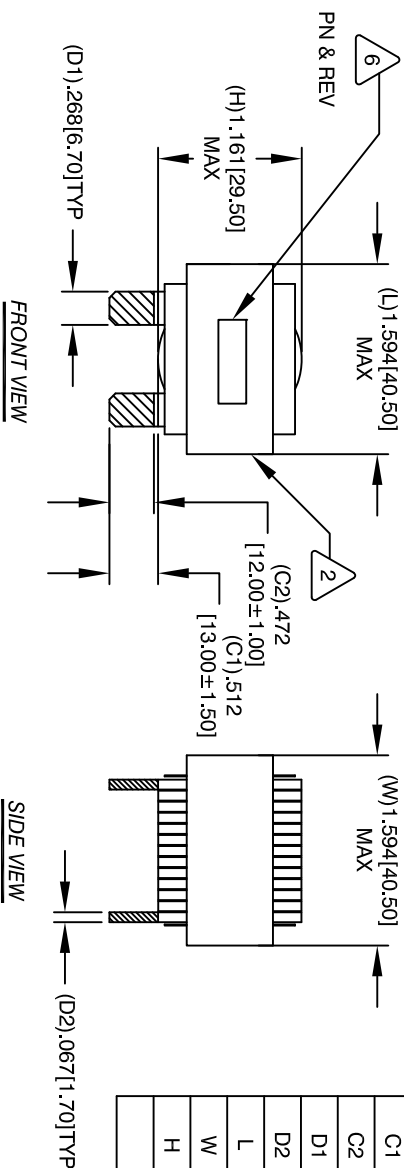
WEIGHT: 200 GRAM
MAX INDUCTOR TEMP RATING: 200°C
RECOMMENDED OPERATING TEMP: -40°C TO 85°C
HI-POT TEST FOR WINDING TO CORE ISOLATION: 1000VDC @ 2mA, 1 MIN
RATED CURRENT: 120 AMPS WITH FORCED AIRFLOW
INTERWINDING CAPACITANCE @ 10KHZ = 14.0 pF (TYP)
|z|@SRF=1.60 KILO-OHM (TYP)
SRF=7.5 MHz (TYP)
DCR=2 MILLI-OHM MAX.
L= 30.0 uH ± 15%, MEASURED AT 10 KHz, 0.25V, ZERO DC BIAS

3 SPECIFICATIONS:

VANISH DOLPH BC-346A or EQUAL
SILICON DOW CORNING RTV 3165 OR EQUAL
NOMEX SPACERS FOR SIDE AND CENTER LEG OF CORES
OUTER WRAP: 3M #69 GLASS CLOTH OR OR EQUAL
WIRE: UL RECOGNIZED 200°C RATED MAGNET WIRE
CORE: POWDERED CORE

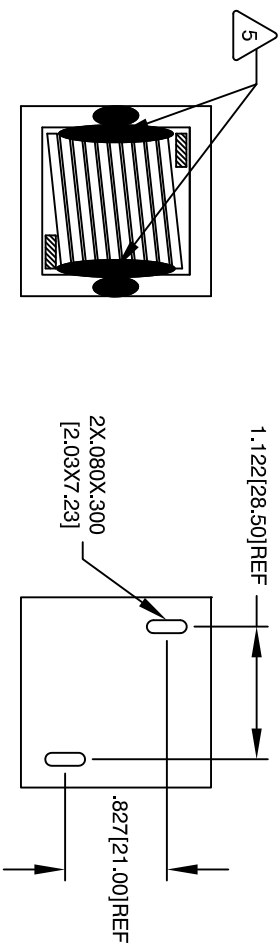
1 INSULATION CLASS 200°C REQUIRED
MATERIAL: UL RECOGNIZED FOR FLAMMABILITY

NOTES: UNLESS OTHERWISE SPECIFIED, READ FROM BOTTOM UP.



DIMENSION TOLERANCE[mm]

Dimension	Tolerance [mm]
C1	13.00 ± 1.50
C2	12.00 ± 1.00
D1	6.70 (TYP)
D2	1.68 (TYP)
L	40.50 MAX
W	40.50 MAX
H	29.50 MAX



BOTTOM VIEW

MOUNTING HOLES PATTERN

DC-BIAS	L
0A	30 uH
10A	26.5 uH
20A	22.5 uH
30A	19 uH
40A	16 uH
50A	14 uH

QTY	CODE IDENT	MFG. P/N	DESCRIPTION	ITEM NO.
			PARTS LIST	
	AUTOCAD SOLIDWORKS SIGN	X		
	DATE			
DRWN	BUN	6/06/07		
ENGR	KSUM	6/06/07		
APPR	JLJU	6/06/07		
TITLE:		Inductor, High Current Helical		
SIZE:		30 uH, 120 Amps, Horizontal		
SCALE:		E70340-013		
SHEET 1 OF 1		REV C1		

UNLESS OTHERWISE SPECIFIED
DIMENSIONING AND TOLERANCE PER ANSI Y14.5M AND [DIMENSIONS] (TOLERANCE INCHES: .XX±.010 .XX±.020 TOLERANCE METERS: .XX±.51)

www.coilw.com
sales@coilw.com
Coil Winding Specialist, Inc.
353 W. GROVE AVE
ORANGE, CA 92665