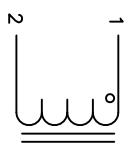


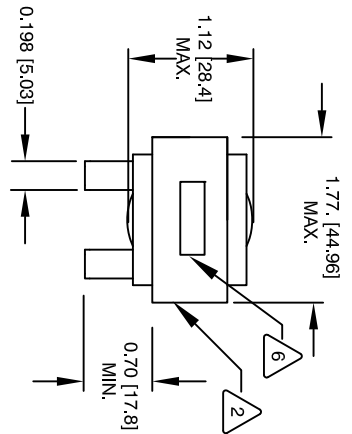
The information contained in this drawing is the sole property of Coil Winding Specialist. Any reproduction in part or whole without written permission of Coil Winding Specialist is prohibited.

REVISION HISTORY

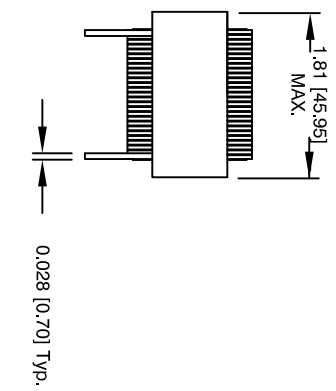
REV	ECN	DESCRIPTION	SIGN & DATE			
BY	DATE	CHK	DATE	DATE		
A		PRODUCTION RELEASE	RRR	8/16/07	JLJU	8/016/07
A1		UPDATED SPECIFICATIONS	GN	2/01/11	JLJU	2/01/11
B	130930	REMOVE MARKING METHOD. FIX DIMENSIONS ON PITCH OF THE LEADS	AK	9/30/13	JM	9/30/13



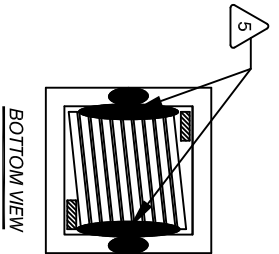
SCHEMATIC



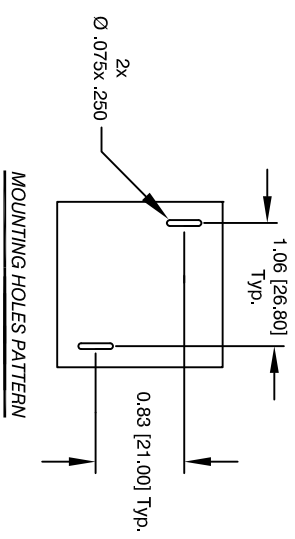
FRONT VIEW



SIDE VIEW



BOTTOM VIEW



MOUNTING HOLES PATTERN

- 7 BUILT TO ROHS COMPLIANCE
- 6 SHOW PART NUMBER AND REVISION
- 5 VARNISH PART AND CURE  
APPLY SILICON WHERE SHOWN
- 4 WRAP TAPE AROUND CORES  
WITH CORES AND MYLAR SPACERS  
ASSEMBLE PRE FORMED FLAT HELICAL COIL  
CONSTRUCTION
- 3 WEIGHT: 180 GRAM  
MAX INDUCTOR TEMP RATING: 200°C  
RECOMMENDED OPERATING TEMP: -40°C TO 85°C  
HI-POT TEST FOR WINDING TO CORE ISOLATION. 1000VDC  
RATED CURRENT: 30 AMPS  
INTERWINDING CAPACITANCE @ 10KHZ = 14.0 pF (TYP)  
|Z|@SRF=7.0 KILO-OHM (TYP)  
SRF=4.1 MHZ (TYP)  
DCR=13.0 MILLI-OHM MAX.  
L= 70.0 uH (TYP) AT 25 AMPS DC BIAS  
L= 100 uH ± 15%, MEASURED AT 10 KHZ, 0.1V, ZERO DC BIAS  
Q= 80 MIN  
SPECIFICATIONS:
- 2 VARNISHED WITH DOLPH  
EPOXY: UNIBOND OR CWS APPROVED PART  
OUTER WRAP: 3M GLASS CLOTH  
WIRE: UL RECOGNIZED 200°C RATED MAGNET WIRE  
CORE: GAPPED SENDUST/KOOL MU
- 1 INSULATION CLASS 200°C REQUIRED  
MATERIAL: UL RECOGNIZED FOR FLAMMABILITY

NOTES: UNLESS OTHERWISE SPECIFIED, READ FROM BOTTOM UP.

QTY	CODE IDENT	MFG. P/N	DESCRIPTION	ITEM NO.
			<b>PARTS LIST</b>	
AUTOCAD SOLIDWORKS		X		
DRWN	RRR	8/16/07	TITLE: Helical Output Inductors	
CHKD	JLJU	8/16/07	www.coilws.com	
ENGR	KSUM	8/16/07	Coil Winding Specialist, Inc.	
APPR	JLJU	8/16/07	353 W. GROVE AVENUE	
		ORANGE, CA. 92865		
UNLESS OTHERWISE SPECIFIED		DIMENSIONING AND TOLERANCE PER ANSI Y14.5M AND [MILLIMETERS].		
TOLERANCE INCHES:		XX=±.010 XX=±.020 X=±.030		
TOLERANCE METRICS:		XX=±.254 X=±.51		
ANGLE PROJECTION		DO NOT SCALE DRAWING		

SIZE	DWG. NO.	REV
B	E70340-016	B