

The information contained in this drawing is the sole property of Coil Winding Specialist, Inc. Any reproduction in part or whole without written permission of Coil Winding Specialist, Inc. is prohibited.

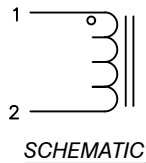
REVISION HISTORY

REV	ECN	DESCRIPTION	SIGN & DATE			
			BY	DATE	CHK	DATE
A	131030	PRODUCTION RELEASE	AK	07/05/16	BO	07/05/16
A1		UPDATE SPEC.	TN	10/02/17	JL	10/02/17

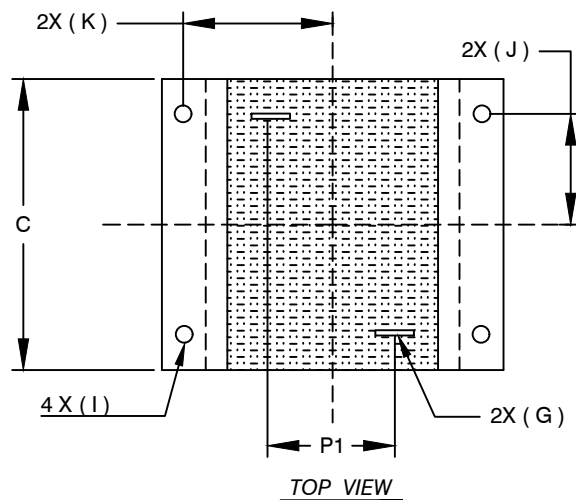
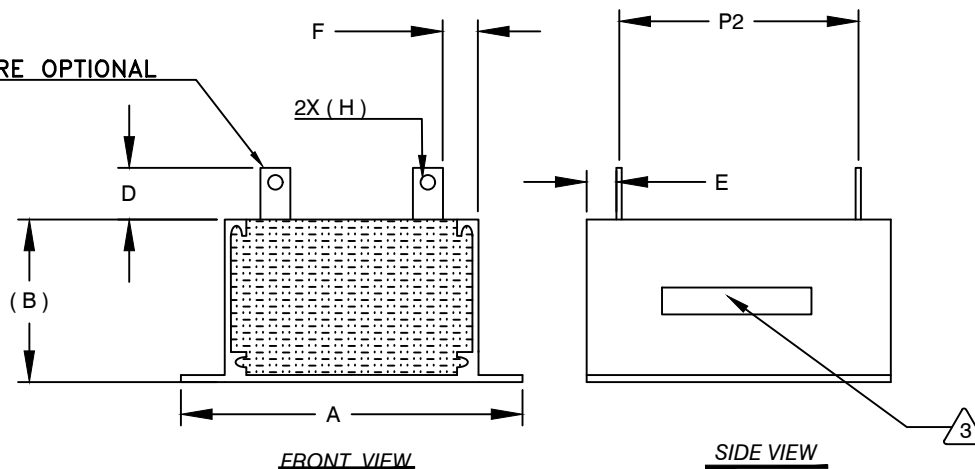
DIMENSIONS

	mm	In
A	85.60±0.51	3.37±0.02
B	40.13±1.27	1.58±0.05
C	61.21±1.27	2.41±0.05
D	11.43 Ref.	0.45 Ref.
E	13.46 Ref.	0.53 Ref.
F	11.18 Ref.	0.44 Ref.
G	1.0x7.5 Ref.	0.039X0.295 Ref.
H	2.72 Min.	0.107 Min.
I	4.06 Min.	0.160 Min.
J	20.50±0.38	0.81±0.015
K	37.00±0.38	1.457±0.015
P1	29.96 Ref.	1.14 Ref.
P2	34.29 Ref.	1.35 Ref.

	DC-BIAS	L
	0A	168.1uH
	5A	167.7uH
	10A	164.5uH
	15A	159.7uH
	20A	151.6uH
	25A	142.1uH
	30A	136.0uH
	40A	116.0uH
	50A	103.0uH
	60A	83.0uH



RING TERMINAL ARE OPTIONAL



5 APPLICATION: ENERGY STORAGE FILTER, SWINGING CHOKE

4 BUILT TO RoHS COMPLIANCE.

3 MARK PART NUMBER AND REVISION WHERE SHOWN

WEIGHT: 503.3 GRAM (Typ)  
 MAX INDUCTOR TEMP: 200°C  
 APPROPRIATE AIR FLOW  
 RECOMMENDED AMBIENT OPERATING TEMP: -40°C TO 85°C  
 HI-POT TEST 1000VDC @ 2mA, 1 MIN. TERMINALS TO CASE  
 INTERWINDING CAPACITANCE @ 10KHZ = 16.84pF (TYP)  
 |z|@SRF=5.2 KILO-OHM (TYP)  
 SRF=3.0 MHz (TYP)  
 RATED CURRENT: 60 AMPS  
 DCR= 7.0 MILLI-OHM MAX.  
 L@DC BIAS: SEE TABLE  
 L= 170 uH ± 15% AT 10 KHZ, 0.25V, ZERO DC BIAS

2 SPECIFICATIONS:

ENCLOSURE: ALUMINUM METAL  
 WIRE: 200°C RATED MAGNET WIRE UL APPROVED  
 CORE: POWDER CORE

1 MATERIALS:

NOTES: UNLESS OTHERWISE SPECIFIED.READ FROM BOTTOM UP.

CAGE CODE: 5DME2

UNLESS OTHERWISE SPECIFIED  
 DIMENSIONING AND TOLERANCE PER ANSI Y14.5M  
 ALL DIMENSIONS ARE IN INCHES AND [MILLIMETERS].  
 TOLERANCE INCHES:  
 .XXX±.010 .XX±.020 <=±0'30'  
 TOLERANCE METRICS:  
 .XXX±.254 .XX±.51 <=±0'30'  
 ANGLE PROJECTION  
 DO NOT SCALE DRAWING

QTY	CODE IDENT	MFG. P/N	DESCRIPTION	ITEM NO.
<b>PARTS LIST</b>				
AUTOCAD		X		
SOLIDWORKS				
SIGN		DATE		
DRAWN		RL	10/15/13	
CHECKED		JM	10/15/13	
ENGR.		AK	10/15/13	
APPR.		BO	10/15/13	
TITLE:			Coil Winding Specialist, Inc. 353 W GROVE AVE ORANGE, CA 92865	
TITLE:			High Current Helical Inductor 170 uH, 60 Amps, Horizontal	
SIZE	DWG. NO.	EEK55246-171M-60A		REV A1
SCALE	NOT_TO_SCALE		SHEET 1 OF 1	