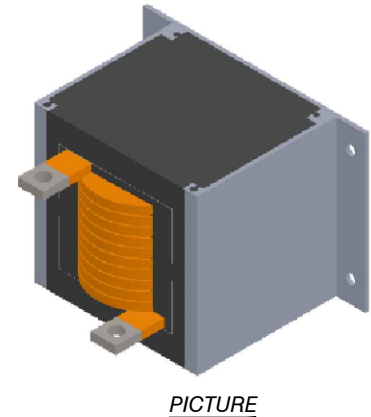
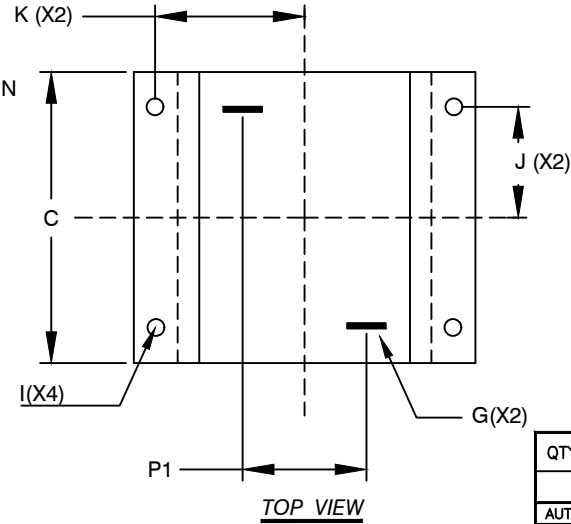
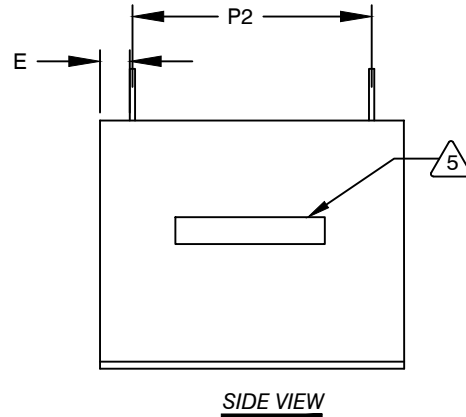
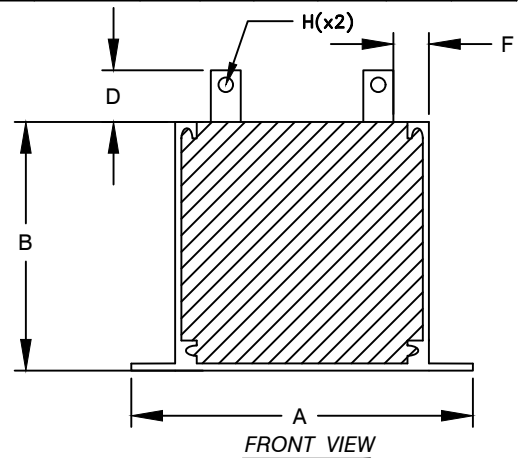
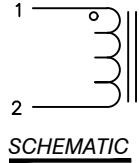


The information contained in this drawing is the sole properties of Coil Winding Specialist, Inc. Any reproduction in part or whole without permission of Coil Winding Specialist, Inc. is prohibited.

DIMENSIONAL TOLERANCES INCHES [MM]												
A	B	C	D	E	F	G(X2)	H(X2)	I(X4)	J	K	P1	P2
MAX	MAX	MAX	TYP	TYP	TYP	TYP	TYP	MIN	TYP	TYP	TYP	TYP
4.60 [116.92]	2.94 [74.79]	3.46 [87.76]	1.00 [25.40]	0.49 [12.45]	0.67 [17.10]	0.16x0.51 [4.00x13.00]	0.27 [6.86]	0.18 [4.60]	1.15 [29.21]	1.98 [50.29]	1.49 [37.85]	2.01 [51.05]

REVISION HISTORY				
REV	ECN	DESCRIPTION	SIGN & DATE	
			BY	DATE
A		PRODUCTION RELEASE	TN	07/27/2020



DC BIAS TABLE

DC BIAS (AMP)	L @ 10KHz (REF)
0	20.6uH
10	20.4uH
20	20.3uH
40	19.8uH
60	19.3uH
80	18.7uH
100	18.0uH
140	15.0uH
160	13.8uH
180	13.2uH
200	12.4uH
240	11.0uH
260	10.5uH
280	10.0uH
300	9.2uH
320	8.5uH
340	8.0uH
360	7.7uH
380	7.0uH
400	6.3uH

- 6 BUILT TO RoHS COMPLIANCE AND LEAD FREE.
- 5 MARK PART NUMBER, REVISION AND DATE

4 CONSTRUCTION

WEIGHT: 2200 GRAMS APPROX.
 MAX INDUCTOR TEMP RATING: 200°C
 RECOMMENDED OPERATING TEMP: -40°C TO 85°C
 HI-POT TEST FOR WINDING TO CORE ISOLATION: 1000VDC @ 2mA, 1 MIN
 INTERWINDING CAPACITANCE = 8.2pF TYP @ SRF
 |Z| = 7.78 KILLO-OHMS TYP @ SRF
 SRF = 9.68 MHz TYP
 RATED CURRENT: 400 AMPS WITH FORCED AIR FLOW
 DCR = 0.8 MILLI-OHMS MAX.
 DC BIAS: SEE TABLE ON THE RIGHT
 L = 20uH ± 15%, MEASURED AT 10 KHz, 0.25V, ZERO DC BIAS
 SPECIFICATIONS @ 25°C:

- ENCLOSURE: ALUMINUM METAL
- WIRE: UL RECOGNIZED 200°C RATED MAGNET WIRE
- 2 CORE: POWDERED CORE
- INSULATION CLASS 200°C REQUIRED
- 1 MATERIAL: UL RECOGNIZED 94V-0 FOR FLAMMABILITY

ANY TOLERANCE. THIS DIM. CAN VARY A LITTLE FROM PART TO PART.
 "TYP" IN DIM. TOL. TABLE REFERS TO A NON-CRITICAL TYPICAL (AVERAGE) DIM. WITHOUT
 NOTES: UNLESS OTHERWISE SPECIFIED, READ FROM BOTTOM UP.
 CAGE CODE: 5DME2

UNLESS OTHERWISE SPECIFIED
 DIMENSIONING AND TOLERANCE PER ANSI Y14.5M
 ALL DIMENSIONS ARE IN INCHES AND [MILLIMETERS].
 TOLERANCE INCHES:
 .XXX±.010 .XX±.020 <±0°30'
 TOLERANCE METRICS:
 .XXX±.254 .XX±.51 <±0°30'
 ANGLE PROJECTION
 DO NOT SCALE DRAWING

QTY	CODE IDENT	MFG. P/N	DESCRIPTION	ITEM NO.
PARTS LIST				
AUTOCAD		X		
SOLIDWORKS				
SIGN		DATE	www.coilws.com sales@coilws.com	
DRAWN	TN	07/26/2020	Coil Winding Specialist, Inc. 353 W. GROVE AVE ORANGE, CA 92865	
CHECKED	JM	07/27/2020	TITLE: High Current Helical Inductor 20 uH, 400 Amps, Horizontal SIZE DWG. NO. A ELCES38A22-200M-400AH SCALE NOT_TO_SCALE	
ENGR.	JL	07/27/2020		
APPR.	JL	07/27/2020		
			REV	A
			SHEET	1 OF 1