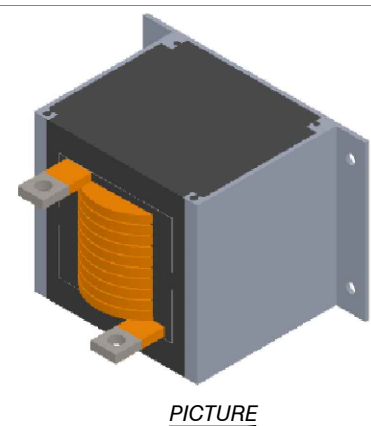
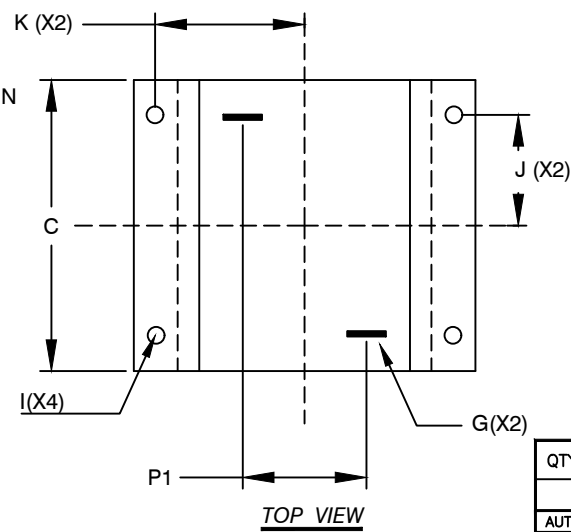
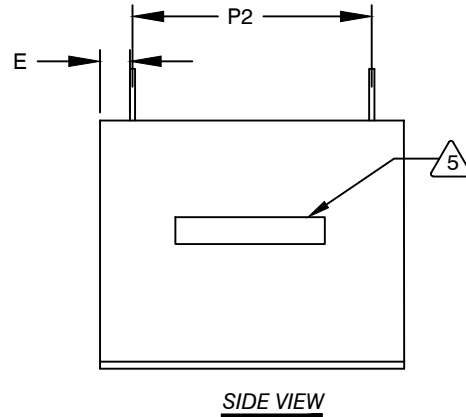
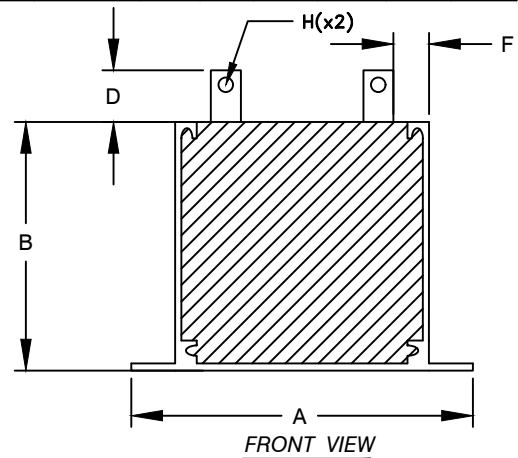
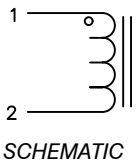


The information contained in this drawing is the sole properties of Coil Winding Specialist, Inc. Any reproduction in part or whole without permission of Coil Winding Specialist, Inc. is prohibited.

DIMENSIONAL TOLERANCES INCHES [MM]												
A	B	C	D	E	F	G(X2)	H(X2)	I(X4)	J	K	P1	P2
MAX	MAX	MAX	TYP	TYP	TYP	TYP	TYP	MIN	TYP	TYP	TYP	TYP
4.60 [116.92]	2.94 [74.79]	3.46 [87.76]	1.00 [25.40]	0.49 [12.45]	0.67 [17.10]	0.16x0.51 [4.00x13.00]	0.27 [6.86]	0.18 [4.60]	1.15 [29.21]	1.98 [50.29]	1.49 [37.85]	2.01 [51.05]

REVISION HISTORY				
REV	ECN	DESCRIPTION	SIGN & DATE	
			BY	DATE
A		PRODUCTION RELEASE	TN	07/27/2020



DC BIAS TABLE

DC BIAS (AMP)	L @ 10KHz (REF)
0	30.2uH
10	29.6uH
20	29.0uH
40	27.7uH
60	26.2uH
80	24.4uH
100	22.7uH
140	18.6uH
160	16.7uH
180	15.7uH
200	14.5uH
240	11.6uH
260	10.8uH
280	10.3uH
300	9.5uH
320	8.5uH
340	7.9uH
360	7.5uH
380	6.7uH
400	6.0uH

- 6 BUILT TO RoHS COMPLIANCE AND LEAD FREE.
- 5 MARK PART NUMBER, REVISION AND DATE

4 CONSTRUCTION

WEIGHT: 2200 GRAMS APPROX.
 MAX INDUCTOR TEMP RATING: 200°C
 RECOMMENDED OPERATING TEMP: -40°C TO 85°C
 HI-POT TEST FOR WINDING TO CORE ISOLATION: 1000VDC @ 2mA, 1 MIN
 INTERWINDING CAPACITANCE = 8.23pF TYP @ SRF
 |Z| = 8.47 KILLO-OHMS TYP @ SRF
 SRF = 8.65 MHz TYP
 RATED CURRENT: 400 AMPS WITH FORCED AIR FLOW
 DCR = 0.8 MILLI-OHMS MAX.
 DC BIAS: SEE TABLE ON THE RIGHT
 L = 30uH ± 15%, MEASURED AT 10 KHz, 0.25V, ZERO DC BIAS
 SPECIFICATIONS @ 25°C:

- ENCLOSURE: ALUMINUM METAL
- WIRE: UL RECOGNIZED 200°C RATED MAGNET WIRE
- 2 CORE: POWDERED CORE
- INSULATION CLASS 200°C REQUIRED
- 1 MATERIAL: UL RECOGNIZED 94V-0 FOR FLAMMABILITY

ANY TOLERANCE. THIS DIM. CAN VARY A LITTLE FROM PART TO PART.
 "TYP" IN DIM. TOL. TABLE REFERS TO A NON-CRITICAL TYPICAL (AVERAGE) DIM. WITHOUT
 NOTES: UNLESS OTHERWISE SPECIFIED, READ FROM BOTTOM UP.
 CAGE CODE: 5DME2

UNLESS OTHERWISE SPECIFIED
 DIMENSIONING AND TOLERANCE PER ANSI Y14.5M
 ALL DIMENSIONS ARE IN INCHES AND [MILLIMETERS].
 TOLERANCE INCHES:
 .XXX±.010 .XX±.020 <±0'30'
 TOLERANCE METRICS:
 .XXX±.254 .XX±.51 <±0'30'
 ANGLE PROJECTION
 DO NOT SCALE DRAWING

QTY	CODE IDENT	MFG. P/N	DESCRIPTION	ITEM NO.
PARTS LIST				
AUTOCAD		X		
SOLIDWORKS				
SIGN	DATE	www.coilws.com sales@coilws.com		
Coil Winding Specialist, Inc. 353 W. GROVE AVE ORANGE, CA 92865				
DRAWN	TN	07/26/2020	TITLE: High Current Helical Inductor 30 uH, 400 Amps, Horizontal	
CHECKED	JM	07/27/2020		
ENGR.	JL	07/27/2020		
APPR.	JL	07/27/2020		
SIZE	DWG. NO.	A ELCES38A42-300M-400AH		
SCALE	NOT_TO_SCALE		REV A	
			SHEET 1 OF 1	