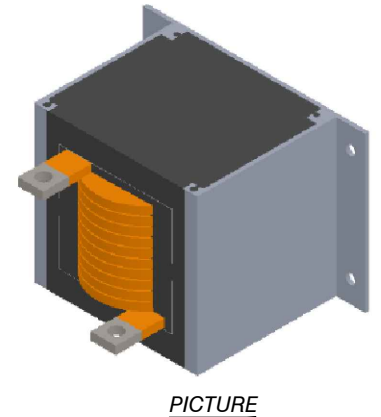
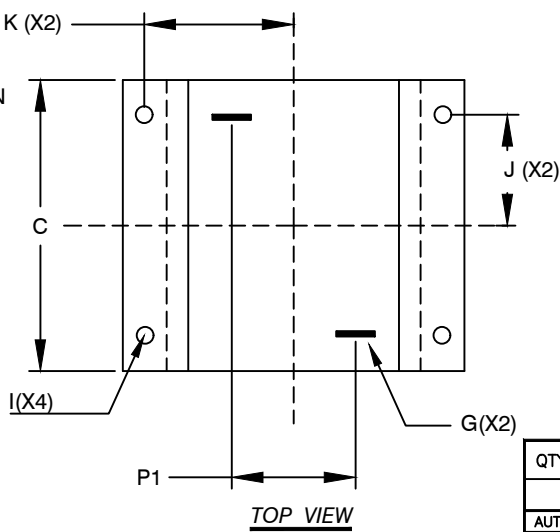
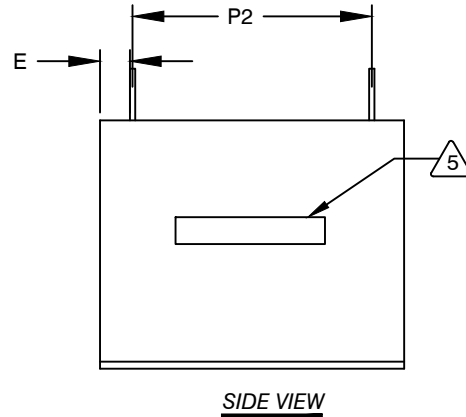
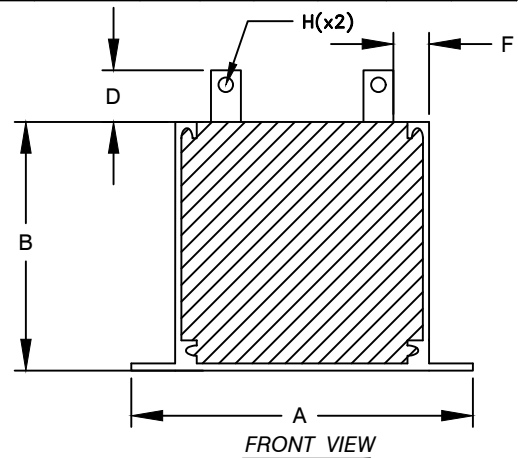
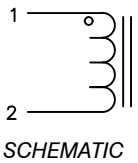


The information contained in this drawing is the sole properties of Coil Winding Specialist, Inc. Any reproduction in part or whole without permission of Coil Winding Specialist, Inc. is prohibited.

DIMENSIONAL TOLERANCES INCHES [MM]												
A	B	C	D	E	F	G(X2)	H(X2)	I(X4)	J	K	P1	P2
MAX	MAX	MAX	TYP	TYP	TYP	TYP	TYP	MIN	TYP	TYP	TYP	TYP
4.60 [116.92]	2.94 [74.79]	3.46 [87.76]	1.00 [25.40]	0.49 [12.45]	0.67 [17.10]	0.16x0.51 [4.00x13.00]	0.27 [6.86]	0.18 [4.60]	1.15 [29.21]	1.98 [50.29]	1.49 [37.85]	2.01 [51.05]

REVISION HISTORY				
REV	ECN	DESCRIPTION	SIGN & DATE	
			BY	DATE
A		PRODUCTION RELEASE	TN	07/27/2020
			JL	07/27/2020



DC BIAS TABLE

DC BIAS (AMP)	L @ 10KHz (REF)
0	51.4uH
10	49.3uH
20	46.6uH
40	40.8uH
60	34.9uH
80	29.6uH
100	25.0uH
140	20.5uH
160	16.4uH
180	15.0uH
200	14.5uH
240	14.0uH
260	13.0uH
280	12.0uH
300	11.6uH
320	11.0uH
340	10.0uH
360	9.5uH
380	8.0uH
400	6.8uH

6 BUILT TO RoHS COMPLIANCE AND LEAD FREE.
 5 MARK PART NUMBER, REVISION AND DATE

4 CONSTRUCTION

WEIGHT: 2200 GRAMS APPROX.
 MAX INDUCTOR TEMP RATING: 200°C
 RECOMMENDED OPERATING TEMP: -40°C TO 85°C
 HI-POT TEST FOR WINDING TO CORE ISOLATION: 1000VDC @ 2mA, 1 MIN
 INTERWINDING CAPACITANCE = 8.5pF TYP @ SRF
 |Z| = 7.7 KILLO-OHMS TYP @ SRF
 SRF = 6.82 MHz TYP
 RATED CURRENT: 400 AMPS WITH FORCED AIR FLOW
 DCR = 0.8 MILLI-OHMS MAX.
 DC BIAS: SEE TABLE ON THE RIGHT
 L = 51uH ± 15%, MEASURED AT 10 KHz, 0.25V, ZERO DC BIAS
 SPECIFICATIONS @ 25°C:

ENCLOSURE: ALUMINUM METAL
 WIRE: UL RECOGNIZED 200°C RATED MAGNET WIRE
 CORE: POWDERED CORE
 INSULATION CLASS 200°C REQUIRED
 MATERIAL: UL RECOGNIZED 94V-0 FOR FLAMMABILITY

ANY TOLERANCE. THIS DIM. CAN VARY A LITTLE FROM PART TO PART.
 "TYP" IN DIM. TOL. TABLE REFERS TO A NON-CRITICAL TYPICAL (AVERAGE) DIM. WITHOUT
 NOTES: UNLESS OTHERWISE SPECIFIED, READ FROM BOTTOM UP.
 CAGE CODE: 5DME2

UNLESS OTHERWISE SPECIFIED
 DIMENSIONING AND TOLERANCE PER ANSI Y14.5M
 ALL DIMENSIONS ARE IN INCHES AND [MILLIMETERS].
 TOLERANCE INCHES:
 .XXX±.010 .XX±.020 <±0°30'
 TOLERANCE METRICS:
 .XXX±.25+ .XX±.51 <±0°30'
 ANGLE PROJECTION
 DO NOT SCALE DRAWING

QTY	CODE IDENT	MFG. P/N	DESCRIPTION	ITEM NO.
PARTS LIST				
AUTOCAD		X		
SOLIDWORKS				
SIGN		DATE	www.coilws.com	Coil Winding Specialist, Inc.
DATE			sales@coilws.com	353 W. GROVE AVE ORANGE, CA 92865
DRAWN	TN	07/26/2020	TITLE: High Current Helical Inductor 51 uH, 400 Amps, Horizontal	
CHECKED	JM	07/27/2020		
ENGR.	JL	07/27/2020		
APPR.	JL	07/27/2020		
SIZE	DWG. NO.	A ELCES38A72-510M-400AH		REV A
SCALE	NOT_TO_SCALE			SHEET 1 OF 1