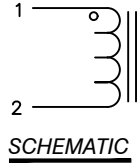


The information contained in this drawing is the sole properties of Coil Winding Specialist, Inc. Any reproduction in part or whole without permission of Coil Winding Specialist, Inc. is prohibited.

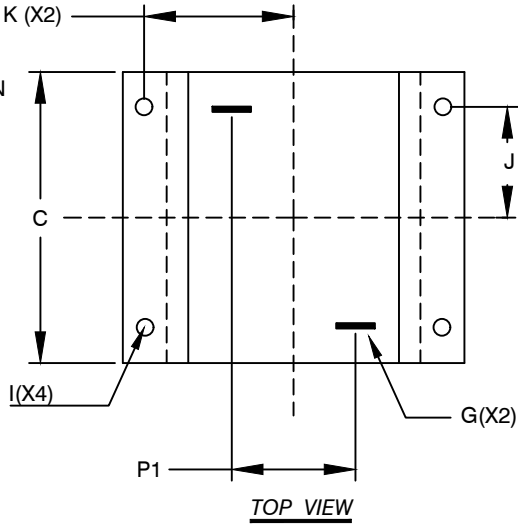
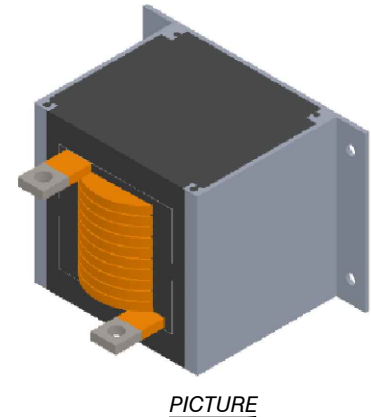
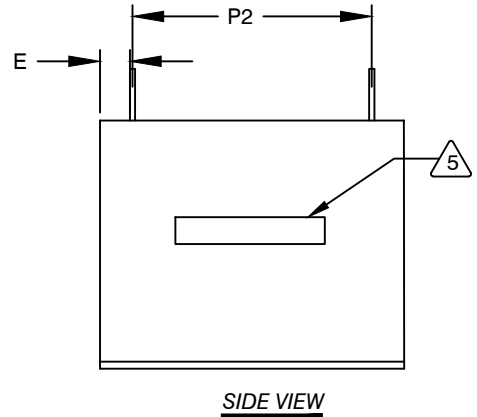
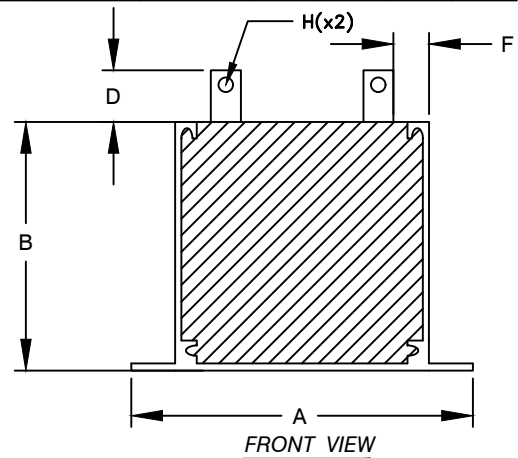
DIMENSIONAL TOLERANCES INCHES [MM]												
A	B	C	D	E	F	G(X2)	H(X2)	I(X4)	J	K	P1	P2
MAX	MAX	MAX	TYP	TYP	TYP	TYP	TYP	MIN	TYP	TYP	TYP	TYP
4.60 [116.92]	2.94 [74.79]	3.46 [87.76]	1.00 [25.40]	0.49 [12.45]	0.67 [17.10]	0.16x0.51 [4.00x13.00]	0.27 [6.86]	0.18 [4.60]	1.15 [29.21]	1.98 [50.29]	1.49 [37.85]	2.01 [51.05]

REVISION HISTORY				
REV	ECN	DESCRIPTION	SIGN & DATE	
			BY	DATE
A		PRODUCTION RELEASE	TN	07/27/2020



DC BIAS TABLE

DC BIAS (AMP)	L @ 10KHz (REF)
0	59.5uH
10	56.5uH
20	52.8uH
40	44.0uH
60	35.6uH
80	28.9uH
100	23.6uH
140	14.7uH
160	14.0uH
180	13.5uH
200	13.0uH
240	12.50uH
260	12.0uH
280	11.6uH
300	11.0uH
320	10.0uH
340	9.3uH
360	8.6uH
380	7.4uH
400	6.0uH



- 6 BUILT TO RoHS COMPLIANCE AND LEAD FREE.
- 5 MARK PART NUMBER, REVISION AND DATE

4 CONSTRUCTION

WEIGHT: 2300 GRAMS TYP
 MAX INDUCTOR TEMP RATING: 200°C
 RECOMMENDED OPERATING TEMP: -40°C TO 85°C
 HI-POT TEST FOR WINDING TO CORE ISOLATION: 1000VDC @ 2mA, 1 MIN
 INTERWINDING CAPACITANCE = 12pF TYP @ SRF
 |Z| = 7.8 KILLO-OHMS TYP @ SRF
 SRF = 6.05 MHz TYP
 RATED CURRENT: 400 AMPS WITH FORCED AIR FLOW
 DCR = 0.8 MILLI-OHMS MAX.
 DC BIAS: SEE TABLE ON THE RIGHT
 L = 60uH ± 15%, MEASURED AT 10 KHz, 0.25V, ZERO DC BIAS
 SPECIFICATIONS @ 25°C:

- ENCLOSURE: ALUMINUM METAL
- WIRE: UL RECOGNIZED 200°C RATED MAGNET WIRE
- 2 CORE: POWDERED CORE
- INSULATION CLASS 200°C REQUIRED
- 1 MATERIAL: UL RECOGNIZED 94V-0 FOR FLAMMABILITY

ANY TOLERANCE. THIS DIM. CAN VARY A LITTLE FROM PART TO PART.
 "TYP" IN DIM. TOL. TABLE REFERS TO A NON-CRITICAL TYPICAL (AVERAGE) DIM. WITHOUT
 NOTES: UNLESS OTHERWISE SPECIFIED, READ FROM BOTTOM UP.
 CAGE CODE: 5DME2

UNLESS OTHERWISE SPECIFIED
 DIMENSIONING AND TOLERANCE PER ANSI Y14.5M
 ALL DIMENSIONS ARE IN INCHES AND [MILLIMETERS].
 TOLERANCE INCHES:
 .XXX±.010 .XX±.020 <±0°30'
 TOLERANCE METRICS:
 .XXX±.254 .XX±.51 <±0°30'
 ANGLE PROJECTION
 DO NOT SCALE DRAWING

QTY	CODE IDENT	MFG. P/N	DESCRIPTION	ITEM NO.
PARTS LIST				
AUTOCAD		X		
SOLIDWORKS				
SIGN		DATE	www.coilws.com	Coil Winding Specialist, Inc.
DATE			sales@coilws.com	353 W. GROVE AVE ORANGE, CA 92865
DRAWN	TN	07/26/2020	TITLE: High Current Helical Inductor	
CHECKED	JM	07/27/2020	60 uH, 400 Amps, Horizontal	
ENGR.	JL	07/27/2020	SIZE	REV
APPR.	JL	07/27/2020	A	A
			DWG. NO. ELCES38A92-600M-400AH	
			SCALE NOT_TO_SCALE	SHEET 1 OF 1