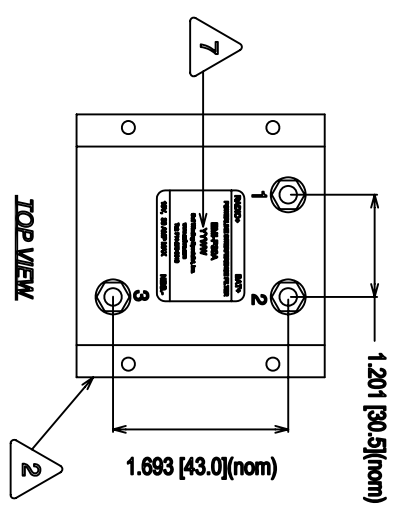
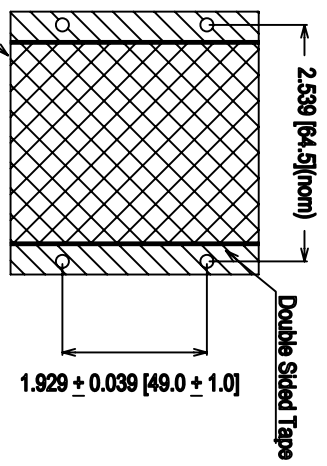
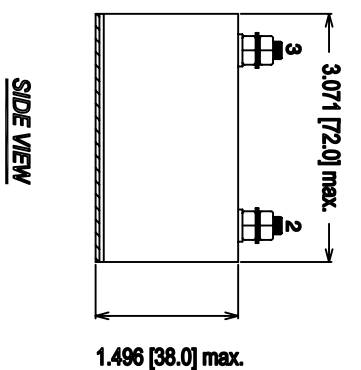
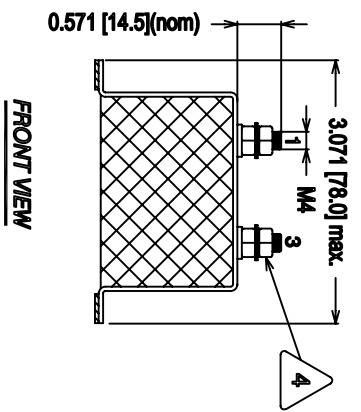
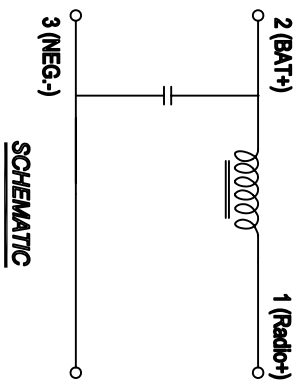


This information contained in this drawing is the sole property of Coil Winding Specialist, Inc. Any reproduction in part or whole without written permission of Coil Winding Specialist is prohibited.

REVISION HISTORY

REV	ECN	DESCRIPTION	BY	DATE	CHK	DATE
A		PRODUCTION RELEASE	GN	01/12/11	JL/AU	01/12/11



7 DATE CODE

- 1MHZ = 122 OHM
- 500KHZ = 74 OHM
- IMPEDANCE: 100KHZ = 26 OHM
- UNIT WEIGHT = 371 grams
- TO INSURE INTEGRITY OF WINDING SEPARATION HI-POT = 1.8KVDC
- DCR = 13 MOHM
- L= MEASURED AT 30AMPS = 40uH MIN
- SPECIFICATIONS:

- 4 BRASS TERMINAL RATED FOR 30 AMPS
- 3 BLACK EPOXY POTTING
- 2 POWDER COATED (BLACK) ALUMINIUM CASE

1 MATERIAL: UL RECOGNIZED 94V-0 FOR FLAMMABILITY
 APPLICATIONS: REDUCE AUDIBLE NOISE INTERFERENCE FROM VEHICLE BATTERIES FOR RADIO, CB, VHF AND UHF COMMUNICATION. DIRECT MOUNTING ONTO POLICE CARS, AMBULANCE, AND TRUCKS.
 NOTES: UNLESS OTHERWISE SPECIFIED.

QTY	CODE IDENT	MFG. P/N	DESCRIPTION	ITEM NO.
			PARTS LIST	
			Coil Winding Specialist, Inc.	
			www.coilw.com	
			353 W. Grove Avenue,	
			Orange, CA 92865	
			Electro-Magnetic Interference (EMI) Filter	
			30 AMPS (Battery Current)	
			EMI-P30A	
			SCALE: NOT TO SCALE	
			SHEET 01	1