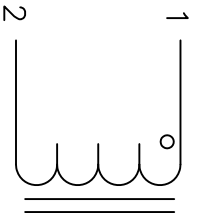


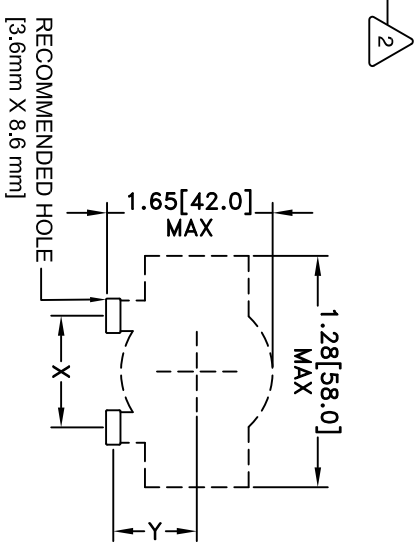
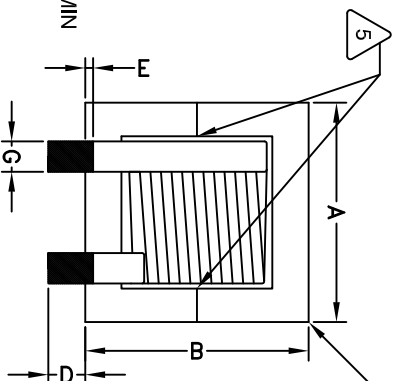
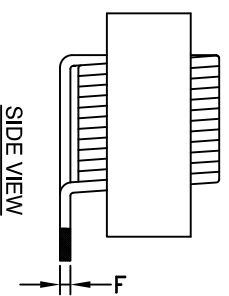
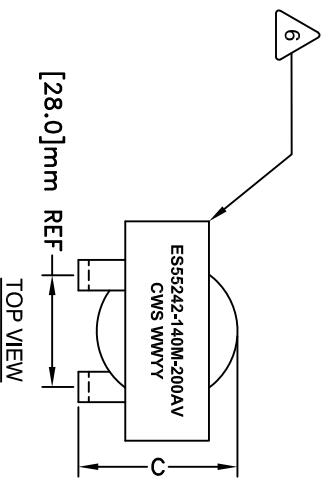
The information contained in this drawing is the sole property of Coil Winding Specialist, Inc. Any reproduction in part or whole without written permission of Coil Winding Specialist, Inc. is prohibited.

DIMENSIONAL TOLERANCE					
A	B	C	D (LEAD)	FILED DIM (LEAD DIM)	X
MAX 2.28" [58.0]	MAX 2.28" [58.0]	MAX 1.65" [42.0]	MAX 0.236" [6.00]	FILED DIM TYP 0.079" [2.00]	FILED DIM TYP 1.02" [26.0]
					REF 1.10" [28.0]

REVISION HISTORY			
REV	ECN	DESCRIPTION	DATE
A		PRODUCTION RELEASE	2/13/11
B		DCR VALUE CHANGE	11/29/11



SCHEMATIC



DC-BIAS	L
0A	14 uH
5A	14 uH
10A	14 uH
15A	14 uH
20A	13.8 uH
25A	13.7 uH
30A	13.2 uH
40A	12.7 uH
50A	12.3 uH
60A	11.9 uH
70A	11.5 uH
80A	10.9 uH
90A	10.6 uH
100A	10.3 uH
120A	10.2 uH
140A	10.1 uH
160A	10.0 uH
180A	10.0uH
200A	9.9 uH

- 1 BUILT TO ROHS COMPLIANCE AND LEAD FREE.
- 2 MARK PART NUMBER AND REVISION WHERE SHOWN
- 3 VANISH PART AND CURE
APPLY SILICON WHERE SHOWN
- 4 WRAP TAPE AROUND CORES
WITH CORES AND NOMEX SPACERS
ASSEMBLE PRE FORMED FLAT HELICAL COIL
CONSTRUCTION
- 5 WEIGHT: 436 GRAM (TYP)
MAX INDUCTOR TEMP RATING: 200°C
RECOMMENDED OPERATING TEMP: -40°C TO 85°C
HI-POT TEST FOR WINDING TO CORE ISOLATION, 1000VDC @ 2mA, 1 MIN
INTERWINDING CAPACITANCE @ 10KHZ = 15pF (TYP)
|Z|@SRF=3.6 KILO-OHM (TYP)
SRF=11 MHz (TYP)
RATED CURRENT: 200 AMPS
DCR= 1.10 MILLI-OHM MAX.
L@DC BIAS: SEE TABLE ON RIGHT.
L= 14uH ± 15%, MEASURED AT 10 KHZ, 0.25V, ZERO DC BIAS
SPECIFICATIONS:

- 1 VANISH DOLPH OR EQUAL
SILICON DOW CORNING OR EQUAL
NOMEX SPACERS FOR SIDE AND CENTER LEG OF CORES
OUTER WRAP: 3M GLASS OR EQUAL
WIRE: UL RECOGNIZED 200°C RATED MAGNET WIRE
CORE: COMPACTED POWDERED CORE
- 2 INSULATION CLASS 200°C REQUIRED
MATERIAL: UL RECOGNIZED 94V-0 FOR FLAMMABILITY

NOTES: UNLESS OTHERWISE SPECIFIED, READ FROM BOTTOM UP.

QTY	CODE IDENT	MFG. P/N	DESCRIPTION	ITEM NO.
			PARTS LIST	
			Coil Winding Specialist, Inc. 353 W. GROVE AVE ORANGE, CA 92665	
			High Current Helical Inductor 14 uH, 200 Amps, Vertical	
			www.coilws.com sales@coilws.com	
			DATE: 2/11/11	
			ENGR: JLJU	
			APPR: JLJU	
			DATE: 2/11/11	
			SIZE: DIM: NO: B	
			ES55242-140M-200AV	
			SCALE: NOT_TO_SCALE	
			SHEET 1 OF 1	