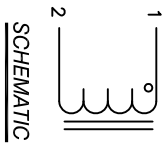


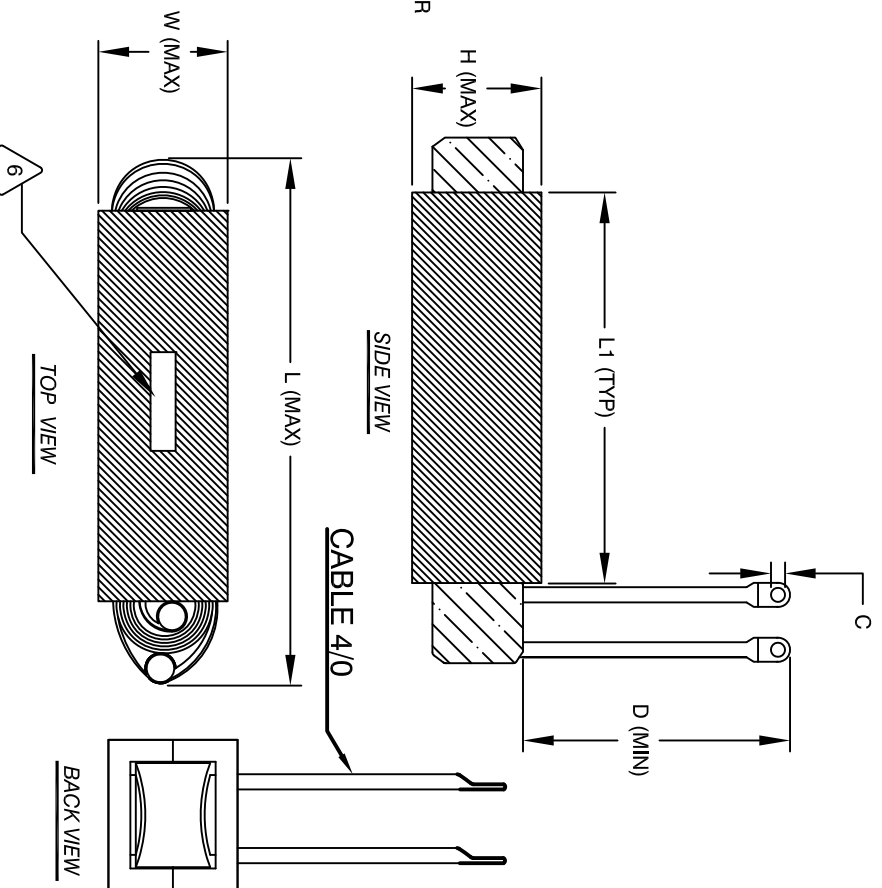
The information contained in this drawing is the sole property of Coil Winding Specialist, Inc. Any reproduction in part or whole without written permission of Coil Winding Specialist, Inc. is prohibited.

DIMENSIONAL TOLERANCE					
C	D	L1	L	W	H
(TYP)	(MIN)	(TYP)	(MAX)	(MAX)	(MAX)
0.50°	12.00°	11.00°	15.50°	4.65°	3.80°
[12.70]	[304.8]	[279.4]	[393.7]	[118.1]	[96.3]

REVISION HISTORY			SIGN & DATE			
REV	ECN	DESCRIPTION	BR	DATE	CHK	DATE
A1	151217	PRODUCTION RELEASE	JK	12/17/15	JLU	12/17/15



- 8 APPLICATION: OUTPUT CHOKE, HIGH CURRENT INDUCTOR, INPUT FILTER
- 7 BUILT TO ROHS COMPLIANCE
- 6 LABEL PART NUMBER AND REVISION WHERE SHOWN
- 5 VARNISHED AND CURE
- 4 APPLY SILICON IF REQUIRED
- 3 WRAP TAPE AROUND CORES
- 2 WITH CORES AND NOMEX
- 1 PRE FORMED FLAT COPPER SHEETS



DC-BIAS	L
0A	160uH
30A	156uH
60A	151uH
90A	144uH
120A	136uH
150A	129uH
180A	121uH
210A	114uH
240A	106uH
270A	98uH
300A	92uH
330A	86uH
360A	80uH
390A	74uH
400A	72uH
420A	67uH
450A	64uH

- 3 SPECIFICATIONS:
 - BAKE VARNISH
 - SILICON DOW CORNING OR EQUAL
 - OUTER WRAP: 3M GLASS OR EQUAL
 - CORE: COMPACTED POWDERED CORE
 - 1 MATERIAL: UL RECOGNIZED

NOTES: UNLESS OTHERWISE SPECIFIED READ FROM BOTTOM UP.

CAGE CODE: 5DME2

PARTS LIST

UNLESS OTHERWISE SPECIFIED		AUTOCAD		TITLE:	
DIMENSIONING AND TOLERANCE PER ANSI Y14.5M	ALL DIMENSIONS ARE IN INCHES AND [MILLIMETERS].	SIGN	DATE	www.coilws.com	sales@coilws.com
TOLERANCE INCHES: .XXX±0.010 .XX±0.020 .X±0.050	TOLERANCE METERS: .XXX±0.254 .XX±0.51	AK	10/19/15	Coil Winding Specialist, Inc.	353 W. GROVE AVE
ANGLE PROJECTION	DO NOT SCALE DRAWING	JLU	10/19/15	ORANGE, CA 92865	
		BO	10/19/15	High Current Inductor	
				160 uH, 450 Amps	
				HCS-161M-450A	