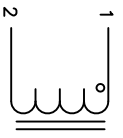


The information contained in this drawing is the sole property of Coil Winding Specialist, Inc. Any reproduction in part or whole without written permission of Coil Winding Specialist, Inc. is prohibited.



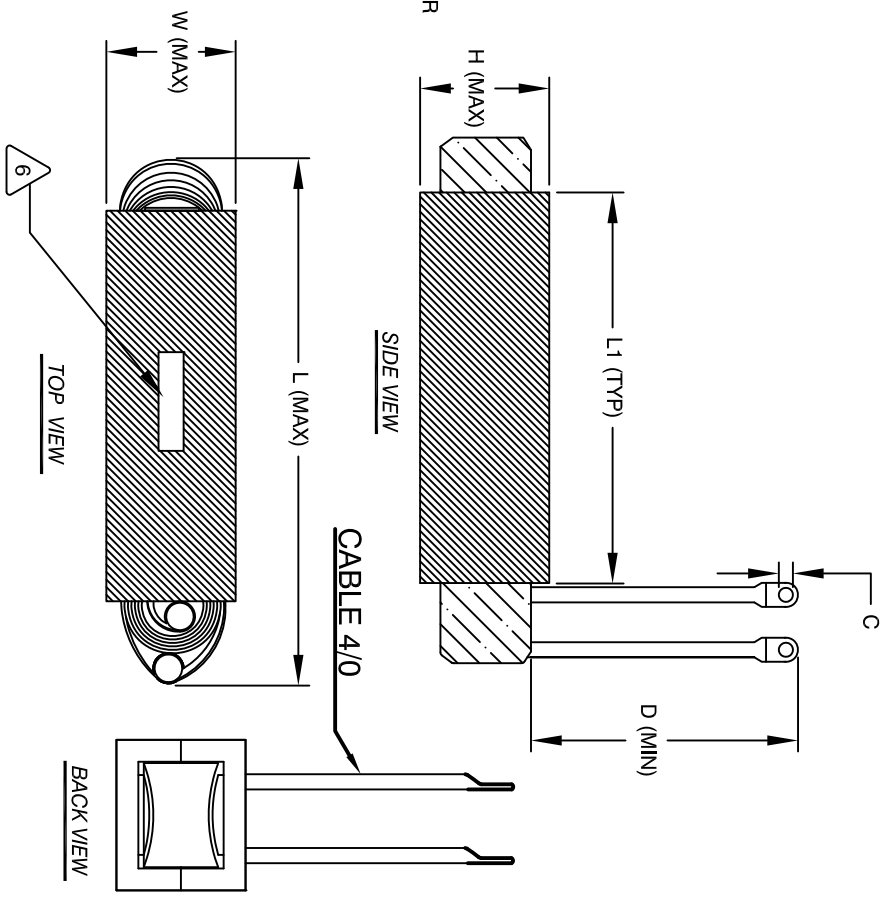
SCHEMATIC

- 8 APPLICATION: OUTPUT CHOKE, HIGH CURRENT INDUCTOR, INPUT FILTER
- 7 BUILT TO ROHS COMPLIANCE
- 6 LABEL PART NUMBER AND REVISION WHERE SHOWN

- 5 VARNISHED AND CURE
APPLY SILICON IF REQUIRED
WRAP TAPE AROUND CORES
WITH CORES AND INSULATOR
PRE FORMED FLAT COPPER SHEETS
- 4 CONSTRUCTION:
WEIGHT: 46 LB (TYP)
RECOMMENDED OPERATING TEMP: -40°C TO 105°C
HI-POT TEST FROM WINDING TO CORE 1000VDC @ 2mA, 1 MIN
INTERWINDING CAPACITANCE @ SRF = 249pF (TYP)
|Z| @ SRF = 2.31 KIL-OHM
SRF = 732 KHZ
RATED CURRENT: 300 AMPS
DCR = 1.2 MILLIOHM MAX.
L @ DC BIAS: SEE TABLE ON RIGHT.
L = 210uH ± 12%, MEASURED AT 1 KHZ, 0.25V, ZERO DC BIAS
- 3 SPECIFICATIONS:
VARNISH
SILICON DOW CORNING OR EQUAL
OUTER WRAP: 3M GLASS OR EQUAL
CORE: COMPACTED POWDERED CORE
1 MATERIAL: UL RECOGNIZED

NOTES: UNLESS OTHERWISE SPECIFIED READ FROM BOTTOM UP.

CAGE CODE: 5DME2



REVISION HISTORY		SIGN & DATE		
REV	ECN	DESCRIPTION	BY	DATE
A	150609	PRODUCTION RELEASE	AK	6/10/15

DIMENSIONS AND TOLERANCE

	mm	Inch
C	12.7 (TYP)	0.50 (TYP)
D	304.8(MIN)	12.00 (MIN)
L1	279.4 (TYP)	11.00 (TYP)
L	393.7 (MAX)	15.5 (MAX)
W	118.1 (MAX)	4.65 (MAX)
H	96.5 (MAX)	3.80 (MAX)

DC-BIAS	L
0A	210uH
30A	184uH
60A	153uH
90A	125uH
120A	103uH
150A	87uH
180A	74uH
210A	64uH
240A	57uH
270A	50uH
300A	45uH

PARTS LIST		TITLE:	
AUTOCAD	X	High Current Inductor	
SOLIDWORKS		210 uH, 300 Amps	
SIGN	DATE	SCALE: B	
AK	6/09/15	NOT_TO_SCALE	
JLJU	6/09/15	SHEET 1 OF 1	
JLJU	6/09/15	REV A	
BO	6/09/15	HCS-211M-300A	

www.coilws.com
353 W. GROVE AVE
ORANGE, CA 92665