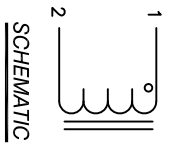


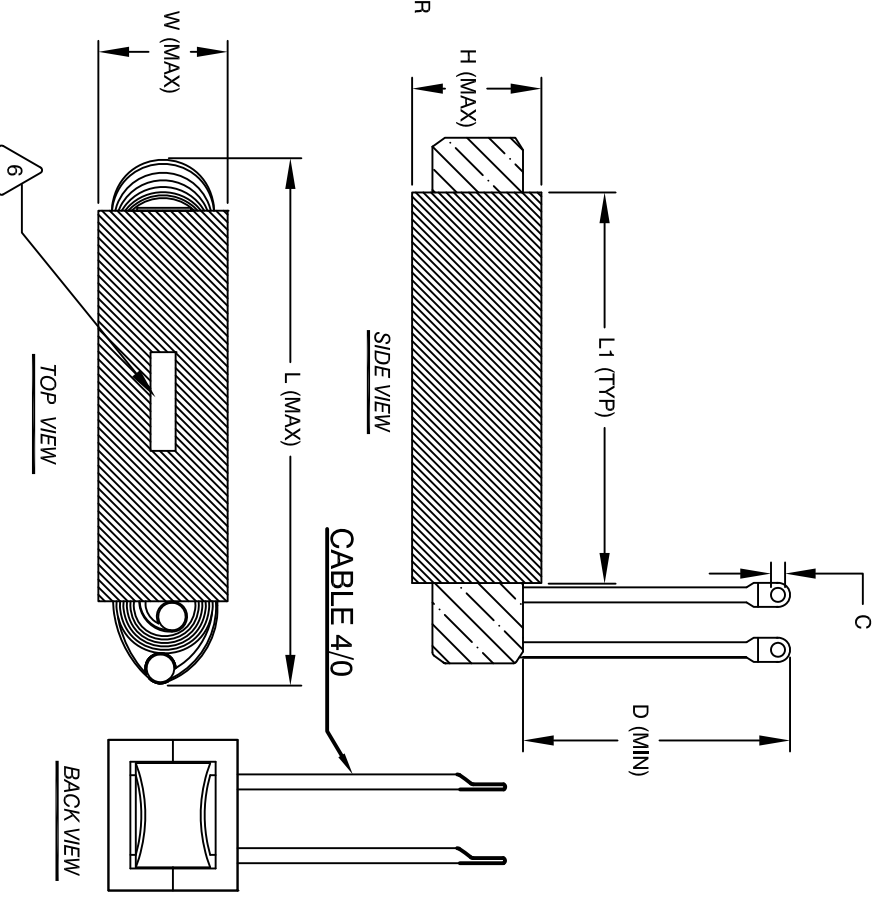
The information contained in this drawing is the sole property of Coil Winding Specialist, Inc. Any reproduction in part or whole without written permission of Coil Winding Specialist, Inc. is prohibited.

DIMENSIONAL TOLERANCE					
C	D	L1	L	W	H
(TYP)	(MIN)	(TYP)	(MAX)	(MAX)	(MAX)
0.50"	12.00"	11.00"	15.50"	4.65"	3.80"
[12.70]	[304.8]	[279.4]	[393.7]	[118.1]	[96.5]

REVISION HISTORY			
REV	EON	DESCRIPTION	SIGN & DATE
A	151217-1	PRODUCTION RELEASE	AK 12/17/15



- 8 APPLICATION: OUTPUT CHOKE, HIGH CURRENT INDUCTOR, INPUT FILTER
- 7 BUILT TO ROHS COMPLIANCE
- 6 LABEL PART NUMBER AND REVISION WHERE SHOWN
- 5 VARNISHED AND CURE
- 4 APPLY SILICON IF REQUIRED
- 3 WRAP TAPE AROUND CORES
- 2 WITH CORES AND INSULATOR
- 1 PRE FORMED FLAT COPPER SHEETS



DC-BIAS	L
0A	800uH
20A	713uH
40A	574uH
60A	455uH
80A	370uH
100A	311uH
120A	268uH
140A	236uH
160A	211uH
180A	191uH
200A	175uH
240A	150uH
280A	133uH
320A	119uH
350A	111uH

- 3 SPECIFICATIONS:
 - RATED CURRENT: 350 AMPS, APPROPRIATE AIR FLOW NEEDED.
 - DCR = 4.5 MILLIOHM MAX.
 - L@DC BIAS: SEE TABLE ON RIGHT.
 - L = 800uH ± 12%, MEASURED AT 1 KHZ, 0.25V, ZERO DC BIAS
- 2 VARNISH
- 1 SILICON DOW CORNING OR EQUAL
- OUTER WRAP: 3M GLASS OR EQUAL
- CORE: COMPACTED POWDERED CORE
- MATERIAL: UL RECOGNIZED

NOTES: UNLESS OTHERWISE SPECIFIED READ FROM BOTTOM UP.
 CAGE CODE: 5DME2

PARTS LIST	
AUTOCAD SOLIDWORKS SIGN	X
UNLESS OTHERWISE SPECIFIED	
DIMENSIONING AND TOLERANCE PER ANSI Y14.5M AND [DIMETERS].	
TOLERANCE INCHES: .XXX±.010 .XX±.020 TOLERANCE METERS: .XXX±.254 .XX±.51	
ANGLE PROJECTION	
DO NOT SCALE DRAWING	
DRAWN: AK	DATE: 12/17/15
ENGR: JLAV	DATE: 12/17/15
APPR: BO	DATE: 12/17/15
TITLE: High Current Inductor	
SIZE: Dwg. No. HCS-801M-350A	
SCALE: NOT TO SCALE	
SHEET 1 OF 1	

www.coilws.com
 sales@coilws.com
 353 W. GROVE AVE
 ORANGE, CA 92665