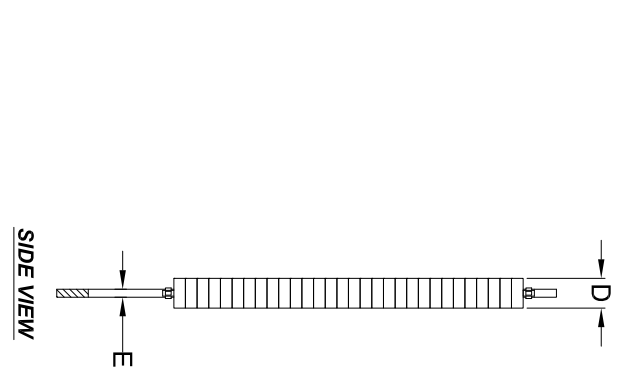
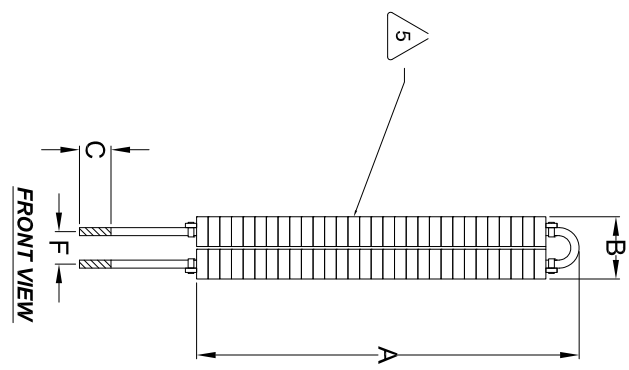


DIMENSIONAL TOLERANCES INCHES [MM]					
A	B	C	D	E	F
MAX	MAX	MIN	TYP	TYP	TYP
5.39 [136.93]	0.90 [22.86]	0.50 [12.70]	0.45 [11.40]	0.16 [4.24]	0.43 [10.94]

REVISION HISTORY			
REV	ECN	DESCRIPTION	SIGN & DATE
A	N/A	PRODUCTION RELEASE	AK 5/13/16 JL 5/13/16

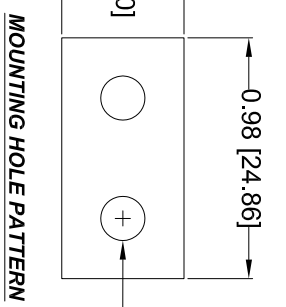
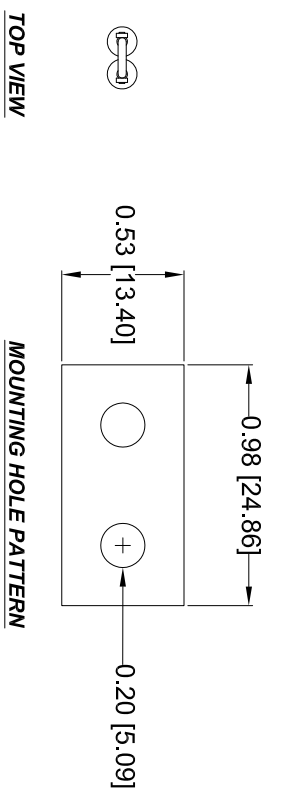


- BUILT TO ROHS COMPLIANCE
- APPLY EPOXY BETWEEN WINDINGS.
- STRIP AND TIN LEADS (NO INSULATION IS ALLOWED BELOW THE BASE LEVEL.)



FREQ	Z
100 KHZ	1.38 Ω
300 KHZ	4.16 Ω
500 KHZ	6.70 Ω
1 MHZ	11.89 Ω
3 MHZ	26.57 Ω
5 MHZ	37.73 Ω
7 MHZ	47.95 Ω
10 MHZ	63.6 Ω

- WEIGHT = ~210 GRAMS
 OPERATING TEMP RANGE = -40°C TO 125°C
 MAX TEMP RISE = 40°C WITH FORCED AIRFLOW.
 INTERWINDING ISOLATION = 2000 VOLTS RMS.
 DCR ON EACH WINDING = 0.45 mΩ MAX
 SRF > 100 MHZ
 RATED VOLTAGE = 1000 VAC OR VDC
 RATED CURRENT = 100 AMPS
 CONSTRUCTED WITH Litz WIRE
 IMPEDANCE = 63.6 Ω @ 10 MHZ
 L = 2.2uH ± 10% @ 10KHz, 0.25 Vrms, 0 ADC
- SPECIFICATIONS AT 25°C:



- WIRE: UL RECOGNIZED 200°C RATED MAGNET WIRE
 CWS BYTE-MARK OR OTHER APPROVED PART
 CORE: IRON POWDER

- WIRE RATING CLASS H (180°C) REQUIRED
 MATERIAL: UL RECOGNIZED FOR FLAMMABILITY
- NOTES: UNLESS OTHERWISE SPECIFIED, READ NOTES FROM BOTTOM TO TOP.
 CAGE CODE: 5DME2

UNLESS OTHERWISE SPECIFIED		AUTOCAD	
DIMENSIONING AND TOLERANCE PER ANSI Y14.5M		SOLIDWORKS	
ALL DIMENSIONS ARE IN INCHES AND (MILLIMETERS)		SIGN	
TOLERANCE METRICS XXXX±.127 XX±.38		DATE	
TOLERANCE METRICS XXX±.127 XX±.38		DRAWN AK 5/19/16	
ANGLE PROJECTION		CHECKED BO 5/19/16	
DO NOT SCALE DRAWING		ENGR. JLAU 5/19/16	
		APPR. JLAU 5/19/16	
TITLE: HIGH FREQUENCY INDUCTOR		www.coilws.com	
VERTICAL MOUNT		353 West Grove Ave	
SIZE DWG. NO. HF1-2R2M-100AV		Orange, California, 92865	
SCALE N/A		Coil Winding Specialist Inc.	
SHEET 1 OF 1		REV A	