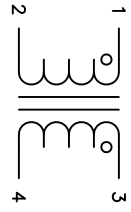


The information contained in this drawing is the sole property of Coil Winding Specialist. Any reproduction in part or whole without written permission of Coil Winding Specialist is prohibited.

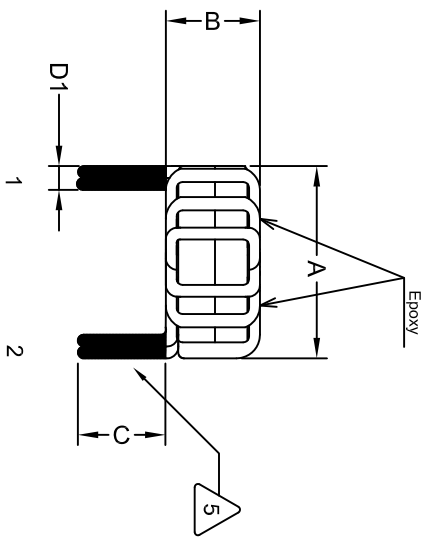
A(D)		B (WIDTH)		C(LEAD)		D REF		D1 REF		N REF		N1 REF		P1 REF		P2 REF	
MAX		MAX		MIN													
1.34"		0.62"		0.50"		0.06"		0.13"		0.15"		0.07"		0.59"		1.10"	
[34.00]		[20.80]		[12.70]		[1.60]		[3.20]		[3.81]		[1.84]		[15.00]		[27.94]	

REV	ECN	DESCRIPTION	BR	DATE	CHK	DATE
D	131205	REMOVE CHART AND FIX P1 DIMENSION	AK	12/05/13	BO	12/05/13
E	160208	REVISE ELECTRICAL AND DIMENSIONS	GN	3/20/11	JAU	3/20/11

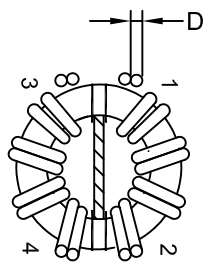
DIMENSIONAL TOLERANCE INCHES (MM)	
-----------------------------------	--



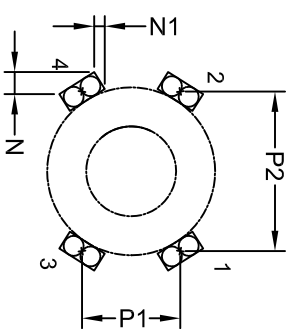
**SCHEMATIC**



**FRONT VIEW**



**BOTTOM VIEW**



**FOOTPRINT**

- 7 BUILT TO ROHS COMPLIANCE
- 6 MARK PART NUMBER AND REVISION IF APPLICABLE.
- 5 WITH COIL EDGE:  
TRIM LEADS APPROX. 0.5 INCH AND FLUSH  
APPLY EPOXY TO SPACER WHERE SHOWN.  
REMOVE WIRE INSULATION AND TIN.
- 4 WIND COILS EVENLY SPACED  
CONSTRUCTION:

- 3 WEIGHT = 40 GRAMS  
MAX TEMP RISE = 40°C  
OPERATING RANGE: -25° TO 120°C  
INTER WINDING ISOLATION = 2000 VOLTS RMS, 3mA, 2 sec.  
INTERWINDING CAPACITANCE = 5.75 pF TYP @ SRF  
IMPEDANCE = 1.08 KΩ TYP @ SRF  
SRF = 7.70 MHz TYPICAL  
LEAKAGE INDUCTANCE = 1.0 uH TYP @ 10KHz, 1Vrms  
INDUCTANCE = 1.40 mH MIN @ 1 KHz, 1 Vrms, 0 Amps  
DCR ON EACH WINDING = 0.95 mΩ MAX  
MAX VOLTAGE ACROSS TERMINALS 1-2 OR 3-4 = 250 VAC OR VDC  
RATED CURRENT = 27.0 AMPS  
INSULATION RESISTANCE = 100 MEGA-OHMS MIN @ 500 VDC  
SPECIFICATIONS @ 25°C
- 2 WIRE: UL CLASS 200°C WIRE  
CWS BYTEMARK OR OTHER APPROVED PART  
CORE: NANO CRYSTALLINE OR AMORPHOUS CORE
- 1 CASE = UL CLASS B (130°) RATING  
MATERIAL: UL RECOGNIZED

NOTES: UNLESS OTHERWISE SPECIFIED, READ FROM BOTTOM UP.

PARTS LIST	
AUTOCAD	X
SOLIDWORKS	
SIGN	
DATE	
FORM	12/16/10
RLAU	
REBD	12/16/10
AK	
ENGR	12/16/10
JLAU	
APPR	03/31/11
JLAU	

TITLE:	
Nanocrystalline Inductor	
Common Mode Choke	
Horizontal Mount CAGE# 5DME2	
SIZE	MM, IN
HN-H-142U-27A	
REV	E

SCALE	
N/A	

PARTS LIST	
CWS Coil Winding Specialist:	
353 WEST GROVE AVE	
ORANGE, CA 92665 (CAGE: 5DME2)	
WWW.COILWS.COM, INC	
sales@coilws.com	