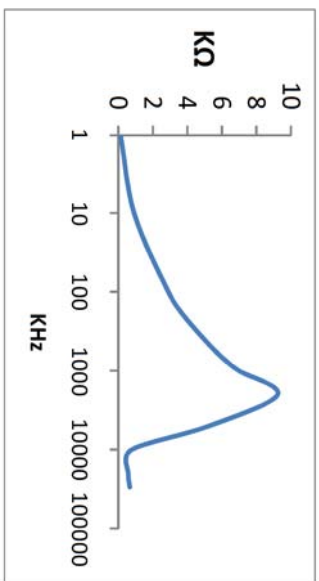
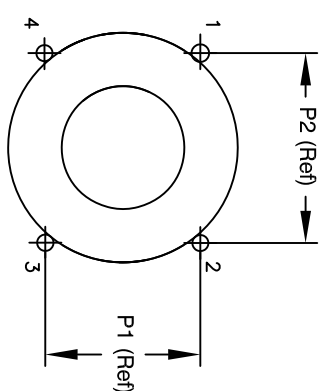
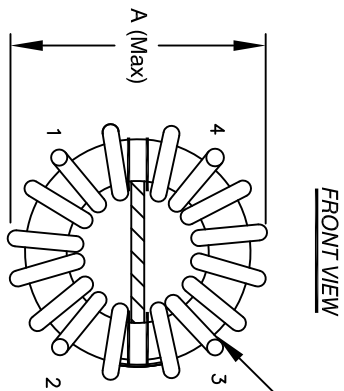
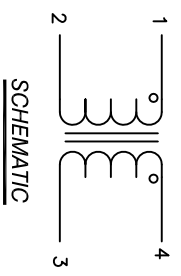
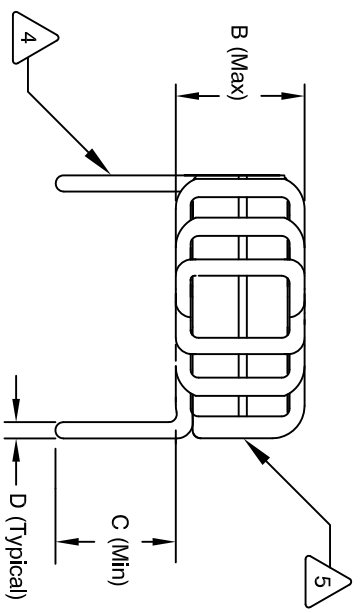


The information contained in this drawing is the sole property of Coil Winding Specialist Inc. (CWS) Any reproduction in part or whole without written permission of CWS is prohibited.



DIMENSIONAL TOLERANCE INCHES [MM]					
A(OD) Max	B(HGHT) Max	C(LEAD) Min	D(LEAD DIA) TYP	E (Min/Max)	P1 Ref
1.26 [32.0]	0.71 [18.0]	0.5 [12.7]	0.04 [1.02]	0.31 [7.8]	1.01 [25.6]

REVISION HISTORY			
REV	ECN	DESCRIPTION	BY
B		ELEC. AND MECH SPEC UPDATE	GN
C		ELEC. AND MECH SPEC UPDATE	GN
C1		REVISE DESCRIPTION	JL



- BUILT TO ROHS COMPLIANCE AND LEAD FREE.
- MARK PART NUMBER AND REVISION IF APPLICABLE
- TIN LEADS APPROX. 0.5 INCH AND FLUSH WITH THE COIL EDGE.
- WEIGHT = 34 GRAMS
 OPERATING TEMP RANGE = -25 °C TO 120°C
 MAX TEMP RISE = 40 °C
 INTERWINDING ISOLATION = 2000 VOLTS RMS, 3 mA, 2 sec.
 DCR ON EACH WINDING = 18.0 mΩ MAX.
 SRF = 950 KHz TYP
 MAX VOLTAGE ACROSS TERMINALS 1-2 OR 3-4 = 250 VAC OR VDC
 RATED CURRENT = 8 AMPS
 LEAKAGE INDUCTANCE = 13.0 μH TYP @ 10 KHz, 1 Vrms.
 INTERWINDING CAPACITANCE = 1.73 pF TYP @ 10 KHz
 IMPEDANCE = 8.0 kΩ TYP @ 950 KHz
 L = 20.0 mH MIN @ 1 KHz, 1 Vrms, 0 ADC
 INSULATION RESISTANCE = 100 MEGA-OHMS MIN. @ 500 VDC
 SPECIFICATIONS AT 25°C:

- WIRE: UL CLASS 200°C
 CWS BYTE-MARK OR OTHER APPROVED PART
 CORE: NANOCRYSTALLINE OR AMORPHOUS CORE
- BOBBIN/CASE = UL CLASS B (130°)
 MATERIAL: UL RECOGNIZED 94V-0 FOR FLAMMABILITY

NOTES: UNLESS OTHERWISE SPECIFIED, READ NOTES FROM BOTTOM TO TOP.

UNLESS OTHERWISE SPECIFIED	
DIMENSIONING AND TOLERANCE PER ANSI Y14.5M AND [DIMETERS]	ALL DIMENSIONS ARE IN INCHES
TOLERANCE INCHES: XXX=±.005 XX=±.015 X=±.030	ANGLE PROJECTION
DO NOT SCALE DRAWING	

QTY	CODE IDENT	MFG. P/N	DESCRIPTION	ITEM NO.
			PARTS LIST	
			www.coilws.com 353 West Grove Ave Orange, California, 92865	
			Coil Winding Specialist Inc.	
			sales@coilws.com	
			TITLE: Nanocrystalline Inductor Common Mode Chokes Horizontal Mount	
			CAGE# 5DME2	
			SIZE DMC NO. HN-H-163U-8A	REV C1
			SCALE NOT TO SCALE	SHEET 1 OF 1