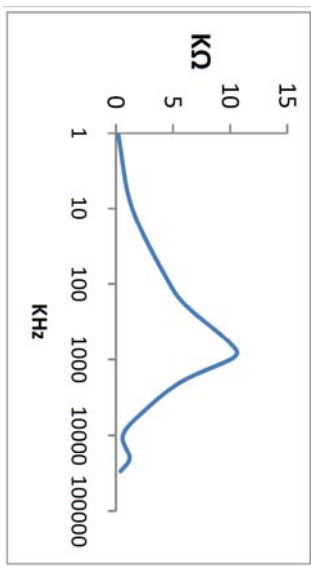
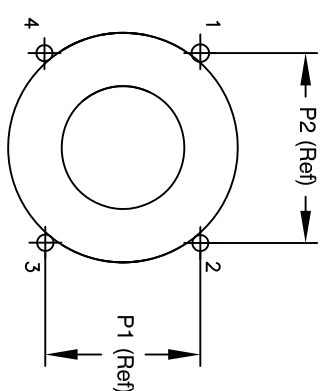
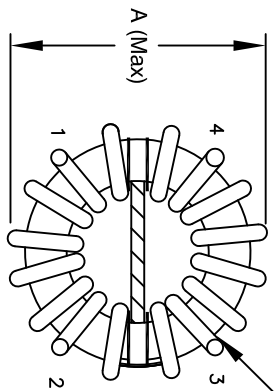
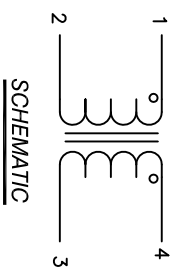
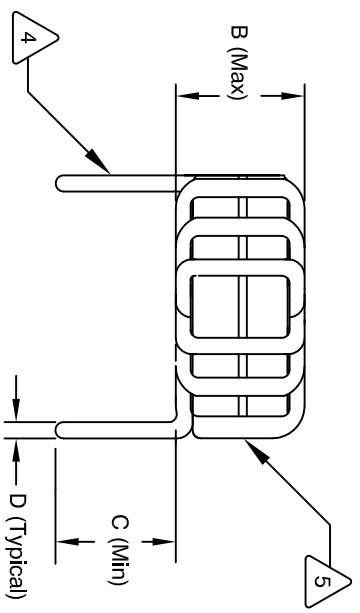


The information contained in this drawing is the sole property of Coil Winding Specialist Inc. (CWS) Any reproduction in part or whole without written permission of CWS is prohibited.



DIMENSIONAL TOLERANCE INCHES [MM]						
A(OD) Max	B(HIGHT) Max	C(LEAD) Min	D(LEAD DIA) TYP	E (Min/Max)	P1 Ref	P2 Ref
1.26 [32.0]	0.71 [18.0]	0.50 [12.7]	0.04 [1.02]		0.31 [7.8]	1.01 [25.6]

REVISION HISTORY					
REV	ECN	DESCRIPTION	BY	DATE	DATE
B		ELEC. AND MECH. UPDATE	GN	03/16/11	03/16/11
C		ELEC. AND MECH. UPDATE	GN	08/14/12	09/14/12
C1		REVISE DESCRIPTION	JL	07/07/17	07/07/17



- 6 BUILT TO ROHS COMPLIANCE AND LEAD FREE.
- 5 MARK PART NUMBER AND REVISION IF APPLICABLE.
- 4 TIN LEADS APPROX. 0.5 INCH AND FLUSH WITH THE COIL EDGE.
  - WEIGHT = 36 GRAMS
  - OPERATING TEMP RANGE = -25 °C TO 120°C
  - MAX TEMP RISE = 40 °C
  - INTERWINDING ISOLATION = 2000 VOLTS RMS, 3 mA, 2 sec.
  - DCR ON EACH WINDING = 25 mΩ MAX
  - SRF = 500 KHz TYP
  - MAX VOLTAGE ACROSS TERMINALS 1-2 OR 3-4 = 250 VAC OR VDC
  - RATED CURRENT = 7 AMPS
  - LEAKAGE INDUCTANCE = 20 uH TYP @ 10 KHz, 1 Vrms
  - INTERWINDING CAPACITANCE = 4 pF TYP @ 10 KHz
  - IMPEDANCE = 10 kΩ TYP @ 500 KHz
  - L = 32 mH MIN @ 1 KHz, 1 Vrms, 0 ADC
  - INSULATION RESISTANCE = 100 MEGA-OHMS MIN. @ 500 VDC
  - SPECIFICATIONS AT 25°C:

- 2 WIRE: UL CLASS 200°C  
CWS BYTE-MARK OR OTHER APPROVED PART  
CORE: NANOCRYSTALLINE OR AMORPHOUS CORE
- 1 BOBBIN/CASE = UL CLASS B (130°)  
MATERIAL: UL RECOGNIZED 94V-0 FOR FLAMMABILITY

NOTES: UNLESS OTHERWISE SPECIFIED, READ NOTES FROM BOTTOM TO TOP.

UNLESS OTHERWISE SPECIFIED	
DIMENSIONING AND TOLERANCE PER ANSI Y14.5M AND [DIMETERS]	DRWN: RJAU
TOLERANCE INCHES: .XXX=±.005 .XX=±.015 .X=±.030	ENGR: JLAU
TOLERANCE METRICS: .XXX=±.127 .XX=±.38	APPR: JLAU
ANGLE PROJECTION	
DO NOT SCALE DRAWING	

QTY	CODE IDENT	MFG. P/N	DESCRIPTION	ITEM NO.
<b>PARTS LIST</b>				
	AUTOCAD SOLIDWORKS		Coil Winding Specialist Inc.	
	SIGN	sales@coilws.com	353 West Grove Ave Orange, California, 92865	
	DATE			
	DRWN: RJAU		TITLE: Nanocrystalline Inductor Common Mode Chokes Horizontal Mount	
	ENGR: JLAU		CAGE# SDME2	
	APPR: JLAU		SIZE: B	REV: C1
	DATE: 12/16/10		SCALE: NOT TO SCALE	SHEET 1 OF 1