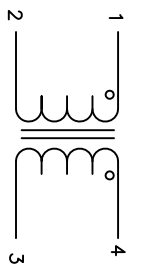


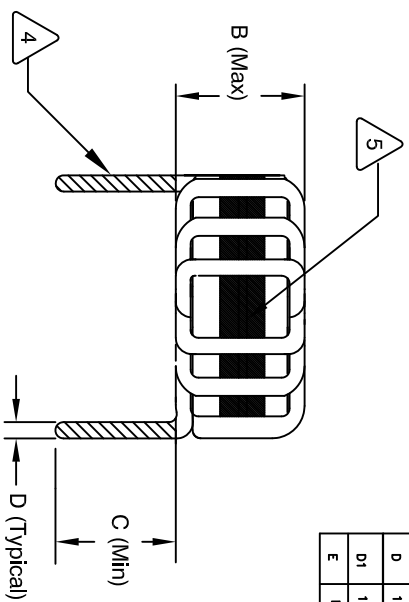
The information contained in this drawing is the sole property of Coil Winding Specialist Inc. (CWS). Any reproduction in part or whole without written permission of CWS is prohibited.



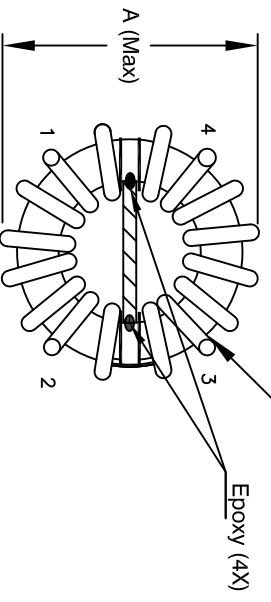
**SCHEMATIC**

DIMENSIONAL TOLERANCE INCHES [MM]						
A(OD) Max	B(HIGHT) Max	C(LEAD) Min	D(LEAD DIA) TYP	E (Min/Max)	P1 Ref	P2 Ref
1.38 [35.0]	0.80 [20.32]	0.5 [12.7]	0.07 [1.83]		0.26 [6.35]	1.10 [27.94]

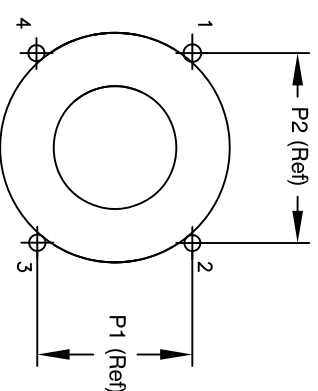
REVISION HISTORY						
REV	ECN	DESCRIPTION	BY	DATE	CHK	DATE
B	N/A	ELEC. AND MECH. UPDATED	GN	3/30/11	JLJU	3/30/11
C	N/A	ELECTRICAL UPDATE	GN	8/12/11	JLJU	8/12/11
D	160208	REVISE ELECTRICAL AND DIMENSIONS	AK	02/15/16	JM	02/15/16
D1	160208	REVISE DESCRIPTION	JL	07/07/17	JLJU	07/07/17
E	N/A	ELEC. AND MECH. UPDATED	TN	02/08/18	JL	02/08/18



**FRONT VIEW**



**BOTTOM VIEW**



**MOUNTING HOLES PATTERN**

- 6 BUILT TO ROHS COMPLIANCE
- 5 LABEL PART NUMBER AND REVISION IF APPLICABLE
- 5 WRAP CORE WITH KAPTON TAPE
- 4 TIN LEADS APPROX. 0.5 INCH AND FLUSH WITH THE COIL EDGE.

- WEIGHT = 40 GRAMS
- OPERATING TEMP RANGE = -25 °C TO 120°C
- MAX TEMP RISE = 40 °C
- INTERWINDING ISOLATION = 2000 VOLTS RMS, 3 mA, 2 sec.
- DCR ON EACH WINDING = 2.7 mΩ MAX
- SRF = 3.6 MHz TYP
- RATED VOLTAGE = 250 VAC OR VDC
- RATED CURRENT = 20 AMPS
- LEAKAGE INDUCTANCE = 2.6 uH TYP @ 10 KHz, 1 Vrms
- INTERWINDING CAPACITANCE = 1.03 pF TYP @ 10 KHz
- IMPEDANCE = 1.4 kΩ TYP @ 3.6 MHz
- Ls = 3.0 mH TYP @ 1 KHz, 1 Vrms, 0 ADC
- Ls = 0.65 mH TYP @ 100 KHz, 1 Vrms, 0 ADC
- INDUCTANCE:
- INSULATION RESISTANCE = 100 MEGA-OHMS MIN. @ 500 VDC
- SPECIFICATIONS AT 25°C:

- 2 WIRE: UL CLASS 200°C
- CWS BYTE-MARK OR OTHER APPROVED PART
- CORE: NANOCRYSTALLINE OR AMORPHOUS CORE
- 1 BOBBIN/CASE = UL CLASS B (130°)
- MATERIAL: UL RECOGNIZED 94V-0 FOR FLAMMABILITY

NOTES: UNLESS OTHERWISE SPECIFIED, READ NOTES FROM BOTTOM TO TOP.

UNLESS OTHERWISE SPECIFIED	
DIMENSIONING AND TOLERANCE PER ANSI Y14.5M AND [MILLIMETERS]	DRMM RLAU
TOLERANCE INCHES: XXX=±.005 XX=±.015 TOLERANCE METRICS: XXX=±.127 XX=±.38	CHKD AK
ANGLE PROJECTION	ENGR JLJU
DO NOT SCALE DRAWING	APPR JLJU

QTY	CODE IDENT	MFG. P/N	DESCRIPTION	ITEM NO.
			<b>PARTS LIST</b>	
	AUTOCAD SOLIDWORKS		Coil Winding Specialist Inc.	
	SIGN	sales@coilws.com	353 West Grove Ave Orange, California, 92865	
	DATE			
	DRMM RLAU	12/16/10	TITLE: Nanocrystalline Inductor Common Mode Chokes	
	CHKD AK	12/16/10	Horizontal Mount	
	ENGR JLJU	12/16/10	CAGE# 5DME2	
	APPR JLJU	03/30/11	SIZE Dwg. No. HN-H-302U-20A	REV E
			SCALE NOT TO SCALE	SHEET 1 OF 1