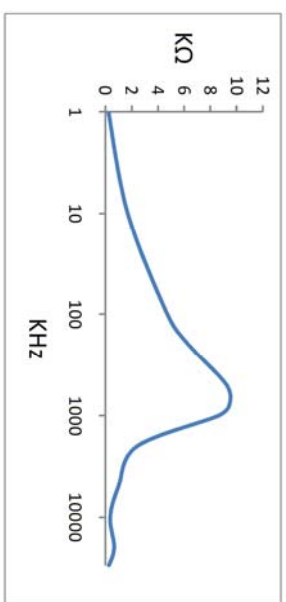


The information contained in this drawing is the sole property of Coil Winding Specialist Inc. (CWS)  
Any reproduction in part or whole without written permission of CWS is prohibited.



**IMPEDANCE**

DIMENSIONAL TOLERANCE INCHES [MM]					
A(OD) Max	B(HIGHT) Max	C(LEAD) Min	D(LEAD DIA) TYP	E (Min/Max)	
1.30 [33.0]	0.77 [19.56]	0.5 [12.7]	0.04 [1.1]	0.25 [6.35]	
					P1 Ref
					P2 Ref
					1.10 [27.94]

REVISION HISTORY			
REV	ECN	DESCRIPTION	BY
B		ELEC. AND MECH. UPDATE	GN
C		ELEC. AND MECH. UPDATE	AK
C1		REVISE DESCRIPTION	AK

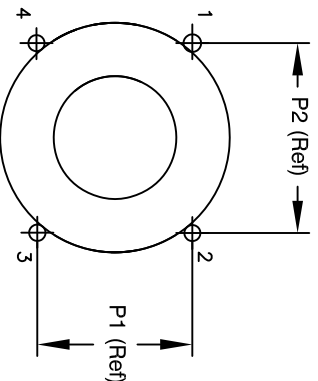
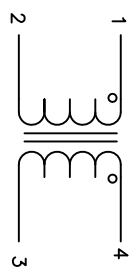
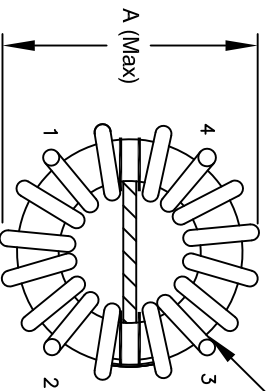
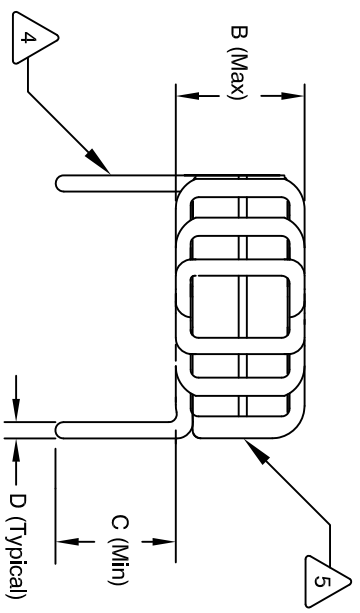
DATE	CHK	DATE	CHK
03/15/11	JLJU	03/15/11	JLJU
11/08/12	JLJU	11/08/12	JLJU
07/07/17	JLJU	07/07/17	JLJU

- 6 BUILT TO ROHS COMPLIANCE AND LEAD FREE.
- 5 MARK PART NUMBER AND REVISION IF APPLICABLE.
- 4 TIN LEADS APPROX. 0.5 INCH AND FLUSH WITH THE COIL EDGE.

- 2 WEIGHT = 38 GRAMS  
OPERATING TEMP RANGE = -25 °C TO 120°C  
MAX TEMP RISE = 40 °C  
INTERWINDING ISOLATION = 2000 VOLTS RMS, 3mA, 2 sec.  
DCR ON EACH WINDING = 25 mΩ MAX.  
SRF = 500 KHz TYP
- 3 MAX VOLTAGE ACROSS TERMINALS 1-2 OR 3-4 = 250 VAC OR VDC  
RATED CURRENT = 7 AMPS  
LEAKAGE INDUCTANCE = 21 uH TYP @ 10 KHz, 1 Vrms  
INTERWINDING CAPACITANCE = 8 pF TYP @ 10 KHz  
IMPEDANCE = 11 kΩ TYP @ 500 KHz  
L = 40 mH MIN @ 1 KHz, 1 Vrms, 0 ADC  
INSULATION RESISTANCE = 100 MEGA-OHMS MIN. @ 500 VDC  
SPECIFICATIONS AT 25°C:

- 2 WIRE: UL CLASS 200°C  
CWS BYTE-MARK OR OTHER APPROVED PART  
CORE: NANOCRYSTALLINE OR AMORPHOUS CORE
- 1 BOBBIN/CASE = UL CLASS B (130°)  
MATERIAL: UL RECOGNIZED 94V-0 FOR FLAMMABILITY

NOTES: UNLESS OTHERWISE SPECIFIED, READ NOTES FROM BOTTOM TO TOP.



QTY	CODE IDENT	MFG. P/N	DESCRIPTION	ITEM NO.
			<b>PARTS LIST</b>	
			<b>www.coilws.com</b>	
			Coil Winding Specialist Inc.	
			353 West Grove Ave	
			Orange, California, 92865	
			<b>TITLE:</b> Nanocrystalline Inductor	
			Common Mode Chokes	
			Horizontal Mount	
			CAGE# SDME2	
			<b>SIZE</b> Dwg. No.	
			HN-H-303U-7A	
			<b>SCALE</b>	
			NOT TO SCALE	
			<b>SHEET</b> 1	
			<b>OF</b> 1	