

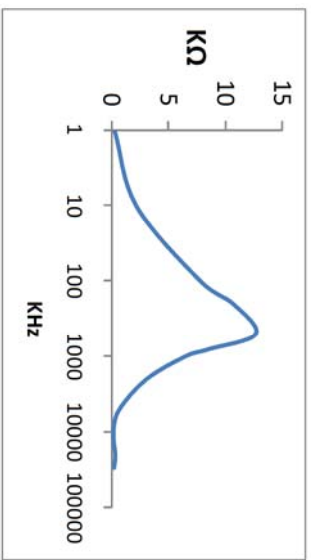
The information contained in this drawing is the sole property of Coil Winding Specialist Inc. (CWS). Any reproduction in part or whole without written permission of CWS is prohibited.

DIMENSIONAL TOLERANCE INCHES [MM]

A(OD) Max	B(HGHT) Max	C(LEAD) Min	D(LEAD DIA) TYP	E (Min/Max)	P1 Ref	P2 Ref
1.23 [31.3]	0.75 [19.1]	0.5 [12.7]	0.04 [1.02]		0.26 [6.40]	1.10 [27.94]

REVISION HISTORY

REV	ECN	DESCRIPTION	BY	DATE	CHK	DATE
B		ELEC. AND MECH. UPDATE	GN	03/22/11	JLJU	03/22/11
B1		REVISE DESCRIPTION	LL	07/07/17	JLJU	07/07/17

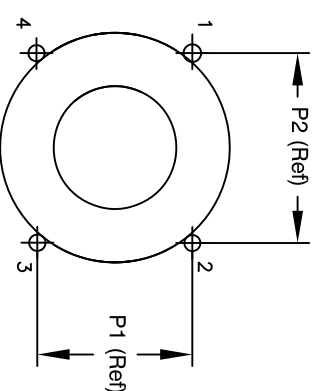
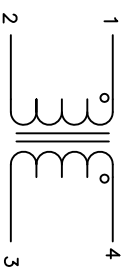
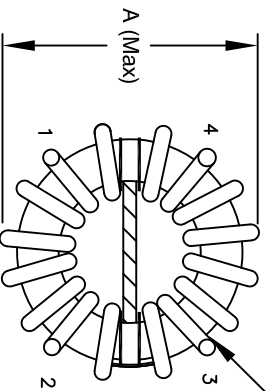
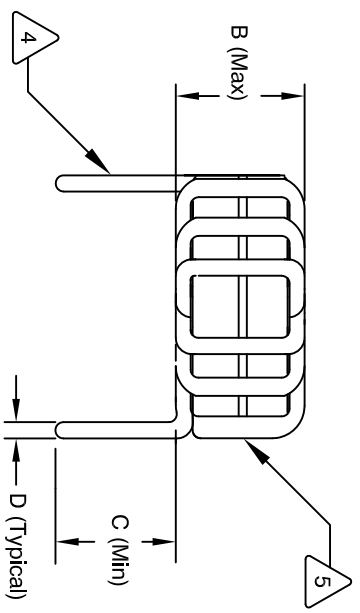


- 6 BUILT TO ROHS COMPLIANCE AND LEAD FREE.
- 5 MARK PART NUMBER AND REVISION.
- 4 TIN LEADS APPROX. 0.5 INCH AND FLUSH WITH THE COIL EDGE.

- 2 WEIGHT = 42 GRAMS  
OPERATING TEMP RANGE = -25 °C TO 120°C  
MAX TEMP RISE = 40 °C  
INTERWINDING ISOLATION = 2000 VOLTS RMS, 3mA, 2 sec..  
DCR ON EACH WINDING = 35 mΩ MAX  
SRF = 235 KHz TYP
- 1 MAX VOLTAGE ACROSS TERMINALS 1-2 OR 3-4 = 250 VAC OR VDC  
RATED CURRENT = 5 AMPS  
LEAKAGE INDUCTANCE = 39 uH TYP @ 10 KHz, 1 Vrms  
INTERWINDING CAPACITANCE = 13 pF TYP @ 10 KHz  
IMPEDANCE = 13 kΩ TYP @ 235 KHz  
L = 62.0 mH ± 20% (NOM) @ 1 KHz, 1 Vrms, 0 ADC  
INSULATION RESISTANCE = 100 MEGA-OHMS MIN. @ 500 VDC  
SPECIFICATIONS AT 25°C:

- 2 WIRE: UL CLASS 200°C  
CWS BYTE-MARK OR OTHER APPROVED PART  
CORE: NANOCRYSTALLINE OR AMORPHOUS CORE
- 1 BOBBIN/CASE = UL CLASS B (130°)  
MATERIAL: UL RECOGNIZED 94V-0 FOR FLAMMABILITY

NOTES: UNLESS OTHERWISE SPECIFIED, READ NOTES FROM BOTTOM TO TOP.



QTY	CODE IDENT	MFG. P/N	DESCRIPTION	ITEM NO.
			<b>PARTS LIST</b>	
			<b>AUTOCAD SOLIDWORKS</b>	
			<b>UNLESS OTHERWISE SPECIFIED</b>	
			<b>DIMENSIONING AND TOLERANCE PER ANSI Y14.5M AND [DIMETERS]</b>	
			<b>TOLERANCE INCHES:</b>	
			.XXX±.005 .XX±.015 ±.±.030	
			.XXX±.127 .XX±.38 ±.±.38	
			<b>ANGLE PROJECTION</b>	
			<b>DO NOT SCALE DRAWING</b>	
			<b>DRWN</b> RLAU	<b>DATE</b> 12/16/10
			<b>ENGR</b> AK	<b>DATE</b> 12/16/10
			<b>APPR</b> JLJU	<b>DATE</b> 03/22/11
			<b>SIZE</b> B	<b>SCALE</b> NOT TO SCALE
			<b>REV</b> B1	<b>SHEET</b> 1 OF 1