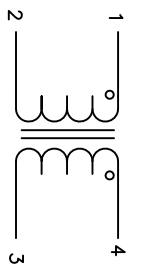


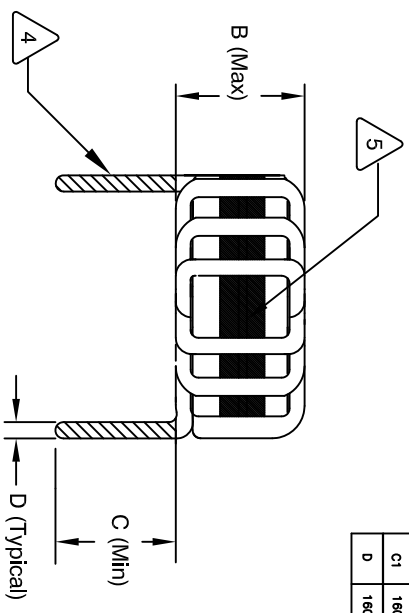
The information contained in this drawing is the sole property of Coil Winding Specialist Inc. (CWS). Any reproduction in part or whole without written permission of CWS is prohibited.



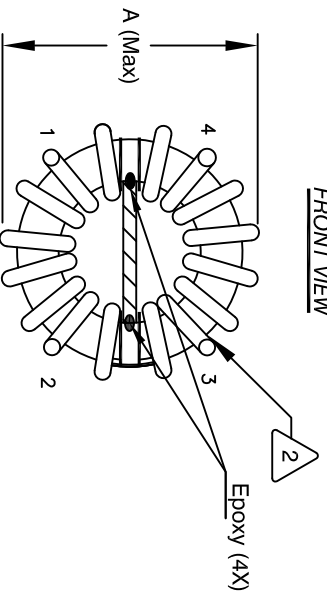
SCHEMATIC

DIMENSIONAL TOLERANCE INCHES [MM]					
A(OD) Max	B(HIGHT) Max	C(LEAD) Min	D(LEAD DIA) TYP	E (Min/Max)	P1 Ref P2 Ref
1.32 [33.50]	0.77 [19.50]	0.5 [12.7]	0.06 [1.63]		0.25 [6.35] 1.10 [27.94]

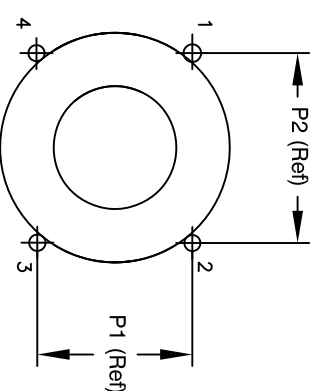
REVISION HISTORY						
REV	ECN	DESCRIPTION	BY	DATE	CHK	DATE
B	N/A	ELEC. AND MECH. UPDATED	GN	3/30/11	JLJU	3/30/11
C	N/A	ELEC. AND MECH. UPDATED	AK	11/06/12	JLJU	11/06/12
C1	160208	REVISE DESCRIPTION	JL	07/07/17	JLJU	07/07/17
D	160208	REVISE DESCRIPTION	TN	02/28/18	JL	02/28/18



FRONT VIEW



BOTTOM VIEW



MOUNTING HOLES PATTERN

- 6 BUILT TO ROHS COMPLIANCE
- 5 LABEL PART NUMBER AND REVISION IF APPLICABLE
- 5 WRAP CORE WITH KAPTON TAPE
- 4 TIN LEADS APPROX. 0.5 INCH AND FLUSH WITH THE COIL EDGE.

WEIGHT = 40 GRAMS
 OPERATING TEMP RANGE = -25 °C TO 120°C
 MAX TEMP RISE = 40 °C
 INTERWINDING ISOLATION = 2000 VOLTS RMS, 3 mA, 2 sec.
 DCR ON EACH WINDING = 4.5mΩ MAX
 SRF = 3.7 MHz TYP
 RATED VOLTAGE = 250 VAC OR VDC
 RATED CURRENT = 20 AMPS
 LEAKAGE INDUCTANCE = 0.7μH TYP @ 100KHz, 1 Vrms
 INTERWINDING CAPACITANCE = 3.3 pF TYP @ SRF
 IMPEDANCE = 4.5kΩ TYP @ SRF
 Ls = 5.5 mH TYP @ 1 KHz, 1 Vrms, 0 ADC
 Ls = 1.05 mH TYP @ 100 KHz, 1 Vrms, 0 ADC
 INDUCTANCE:
 INSULATION RESISTANCE = 100 MEGA-OHMS MIN. @ 500 VDC
 SPECIFICATIONS AT 25°C:

- 2 WIRE: UL CLASS 200°C
 CWS BYTE-MARK OR OTHER APPROVED PART
 CORE: NANOCRYSTALLINE OR AMORPHOUS CORE
- 1 BOBBIN/CASE = UL CLASS B (130°)
 MATERIAL: UL RECOGNIZED 94V-0 FOR FLAMMABILITY

NOTES: UNLESS OTHERWISE SPECIFIED, READ NOTES FROM BOTTOM TO TOP.

QTY	CODE IDENT	MFG. P/N	DESCRIPTION	ITEM NO.
PARTS LIST				
AUTOCAD SOLIDWORKS		www.coilws.com Coil Winding Specialist Inc. 353 West Grove Ave Orange, California, 92865		
UNLESS OTHERWISE SPECIFIED	DRWN	DATE	TITLE:	
DIMENSIONING AND TOLERANCE PER ANSI Y14.5M AND [MILLIMETERS]	RLAU	12/16/10	Nanocrystalline Inductor Common Mode Chokes Horizontal Mount	
TOLERANCE INCHES: .XXX=±.005 .XX=±.015 TOLERANCE METRICS: .XXX=±.127 .XX=±.38	CHKD	12/16/10	CAGE# 5DME2	
ANGLE PROJECTION	ENGR	JLJU	SIZE	REV
DO NOT SCALE DRAWING	APPR	JLJU	B	D
		03/30/11	SCALE	
			NOT TO SCALE	
			SHEET 1	OF 1