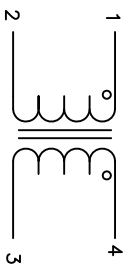


The information contained in this drawing is the sole property of Coil Winding Specialist Inc. (CWS)
 Any reproduction in part or whole without written permission of CWS is prohibited.

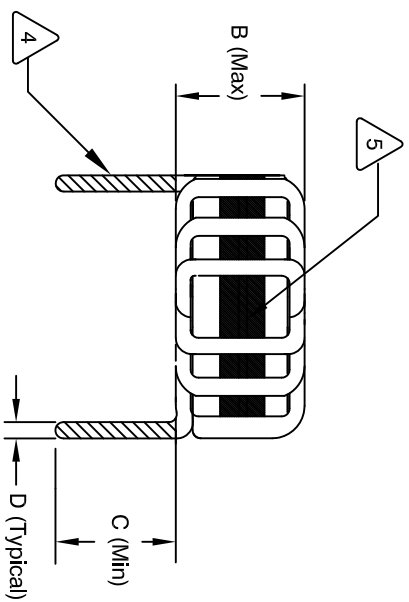
DIMENSIONAL TOLERANCE INCHES [MM]						
A(OD) Max	B(HIGHT) Max	C(LEAD) Min	D(LEAD DIA) TYP	E (Min/Max)	P1 Ref	P2 Ref
1.42 [36.00]	0.86 [21.84]	0.5 [12.7]	0.07 [1.83]		0.26 [6.35]	1.20 [30.48]

REVISION HISTORY						
REV	ECN	DESCRIPTION	BY	DATE	CHK	DATE
A	N/A	PRODUCTION RELEASE	TN	10/11/18	JL	10/11/18

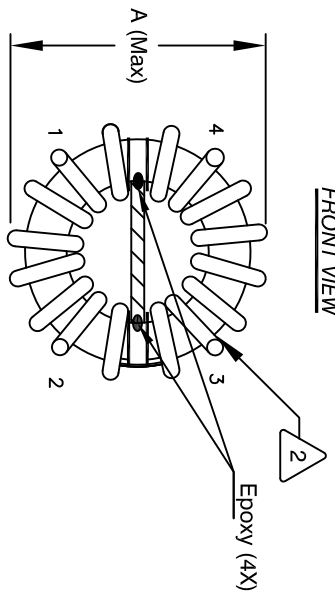


SCHEMATIC

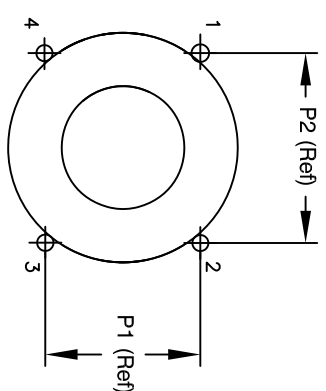
- 6 BUILT TO ROHS COMPLIANCE
- 5 LABEL PART NUMBER AND REVISION IF APPLICABLE
- 4 TIN LEADS APPROX. 0.5 INCH AND FLUSH WITH THE COIL EDGE.



FRONT VIEW



BOTTOM VIEW



MOUNTING HOLES PATTERN

- 3 SPECIFICATIONS AT 25°C:
 - WIRE: UL CLASS 200°C
 - CWS BYTEMARK OR OTHER APPROVED PART
 - CORE: NANOCRYSTALLINE OR AMORPHOUS CORE

- 2 BOBBIN/CASE = UL CLASS B (130°)
- 1 MATERIAL: UL RECOGNIZED 94V-0 FOR FLAMMABILITY

NOTES: UNLESS OTHERWISE SPECIFIED, READ NOTES FROM BOTTOM TO TOP.

QTY	CODE IDENT	MFG. P/N	DESCRIPTION	ITEM NO.
			PARTS LIST	
			www.coilws.com	
			Coil Winding Specialist Inc.	
			353 West Grove Ave	
			Orange, California. 92865	
			TITLE: Nanocrystalline Inductor	
			Common Mode Chokes	
			Horizontal Mount	
			CAGE# 5DME2	
			SIZE Dwg. No.	
			B HN-H-602U-20A	
			SCALE NOT TO SCALE	
			SHEET 1	
			OF 1	