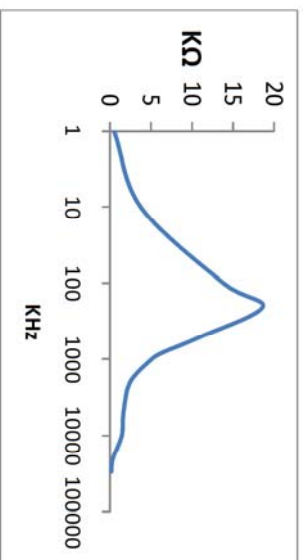


The information contained in this drawing is the sole property of Coil Winding Specialist, Inc. (CWS)  
 Any reproduction in part or whole without written permission of CWS is prohibited.



DIMENSIONAL TOLERANCE INCHES [MM]	
A(OD) Max	B(HIGHT) Max
1.23 [31.3]	0.75 [19.0]
C(LEAD) Min	D(LEAD DIA) TYP
0.50 [12.7]	0.04 [0.91]
E (Min/Max)	P1 Ref
	0.25 [6.35]
P2 Ref	
1.10 [27.94]	

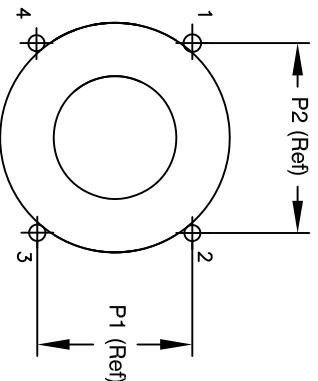
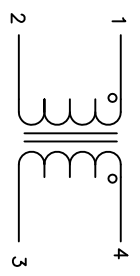
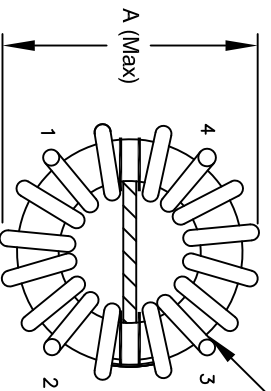
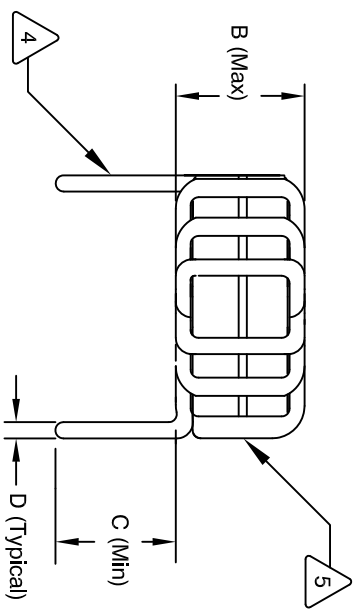
REVISION HISTORY		DESCRIPTION		SIGN & DATE	
REV	ECN	BY	DATE	CHK	DATE
B		GN	03/16/11	JLJU	03/16/11
B1		JL	07/07/17	JLJU	07/07/17

- 6 BUILT TO ROHS COMPLIANCE AND LEAD FREE.
- 5 MARK PART NUMBER AND REVISION.
- 4 TIN LEADS APPROX. 0.5 INCH AND FLUSH WITH THE COIL EDGE.

WEIGHT = 40 GRAMS  
 OPERATING TEMP RANGE = -25 °C TO 120°C  
 MAX TEMP RISE = 40 °C  
 INTERWINDING ISOLATION = 2000 VOLTS RMS, 3mA, 2 sec.  
 DCR ON EACH WINDING = 45 mΩ MAX  
 SRF = 163 KHz TYP  
 MAX VOLTAGE ACROSS TERMINALS 1-2 OR 3-4 = 250 VAC OR VDC  
 RATED CURRENT = 5 AMPS  
 LEAKAGE INDUCTANCE = 47 uH TYP @ 10 KHz, 1 Vrms  
 INTERWINDING CAPACITANCE = 19 pF TYP @ 10 KHz  
 IMPEDANCE = 17 kΩ TYP @ 163 KHz  
 L = 87 mH ± 20% (NOM) @ 1 KHz, 1 Vrms, 0 ADC  
 INSULATION RESISTANCE = 100 MEGA-OHMS MIN. @ 500 VDC  
 SPECIFICATIONS AT 25°C:

- 2 WIRE: UL CLASS 200°C  
 CWS BYTEMARK OR OTHER APPROVED PART  
 CORE: NANOCRYSTALLINE OR AMORPHOUS CORE
- 1 BOBBIN/CASE = UL CLASS B (130°)  
 MATERIAL: UL RECOGNIZED 94V-0 FOR FLAMMABILITY

NOTES: UNLESS OTHERWISE SPECIFIED, READ NOTES FROM BOTTOM TO TOP.



QTY	CODE IDENT	MFG. P/N	DESCRIPTION	ITEM NO.
			<b>PARTS LIST</b>	
			<b>www.coilws.com</b>	
			Coil Winding Specialist Inc.	
			353 West Grove Ave	
			Orange, California, 92865	
			<b>TITLE:</b> Nanocrystalline Inductor	
			Common Mode Chokes	
			Horizontal Mount	
			CAGE# 5DME2	
			<b>SIZE</b> Dwg. No.	
			B HN-H-703U-5A	
			<b>SCALE</b> NOT TO SCALE	
			<b>REV</b> B1	