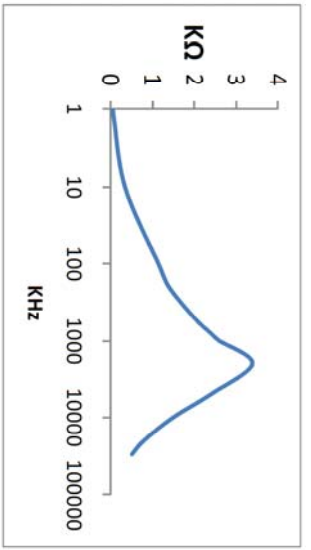


The information contained in this drawing is the sole property of Coil Winding Specialist Inc. (CWS). Any reproduction in part or whole without written permission of CWS is prohibited.

IMPEDANCE



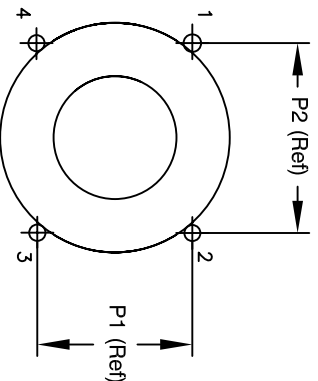
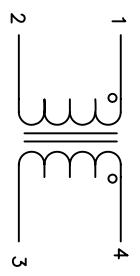
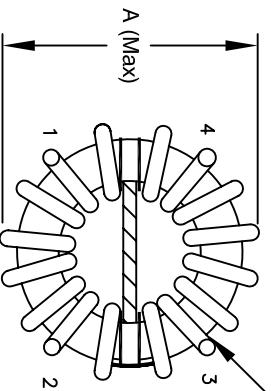
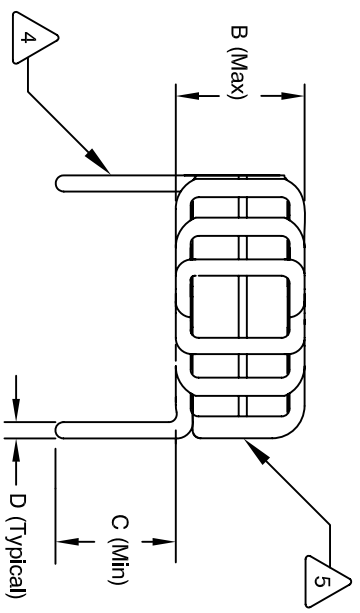
DIMENSIONAL TOLERANCE INCHES [MM]						
A(OD) Max	B(HIGHT) Max	C(LEAD) Min	D(LEAD DIA) TYP	E (Min/Max)	P1 Ref	P2 Ref
1.24 [31.5]	0.71 [18.0]	0.50 [12.7]	0.06 [1.45]		0.25 [6.35]	1.10 [27.94]

REVISION HISTORY				SIGN & DATE			
REV	ECN	DESCRIPTION	BY	DATE	CHK	DATE	
A.1	1	PRODUCTION RELEASE	KC	01/14/11	JLJU	01/14/11	
B		ELEC. AND MECH. UPDATE	GN	03/30/11	JLJU	03/30/11	

- 6 BUILT TO ROHS COMPLIANCE AND LEAD FREE.
- 5 MARK PART NUMBER AND REVISION.
- 4 TIN LEADS APPROX. 0.5 INCH AND FLUSH WITH THE COIL EDGE.

- 2 WIRE: UL CLASS 200°C
- 1 MATERIAL: UL RECOGNIZED 94V-0 FOR FLAMMABILITY

NOTES: UNLESS OTHERWISE SPECIFIED, READ NOTES FROM BOTTOM TO TOP.



QTY	CODE IDENT	MFG. P/N	DESCRIPTION	ITEM NO.
			PARTS LIST	
			AUTOCAD SOLIDWORKS	
			UNLESS OTHERWISE SPECIFIED	
			DIMENSIONING AND TOLERANCE PER ANSI Y14.5M AND [MILLIMETERS]	
			TOLERANCE INCHES:	
			.XXX±0.005 XX±0.015 ±=±0°30'	
			.XXX±0.127 .XX±0.50 ±=±0°30'	
			ANGLE PROJECTION	
			DO NOT SCALE DRAWING	
			DRWN RLAU	
			CHKD AK	
			ENGR. JLJU	
			APPR. JLJU	
			DATE 12/16/10	
			DATE 03/30/11	
			SIZE B	
			SCALE NOT TO SCALE	
			SHEET 1 OF 1	

www.coilws.com
 Coil Winding Specialist Inc.
 353 West Grove Ave
 Orange, California, 92865
 sales@coilws.com

TITLE: Nanocrystalline Inductor
 Common Mode Chokes
 Horizontal Mount
 CAGE# 5DME2

REV B