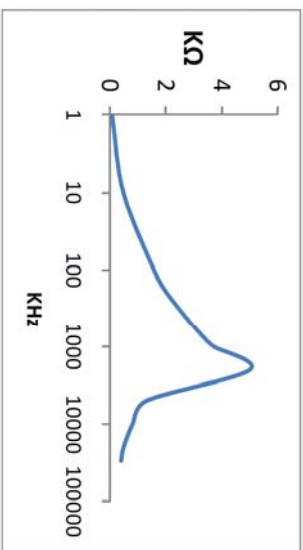
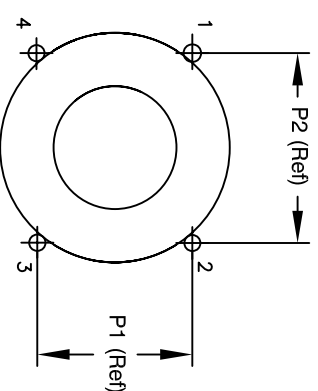
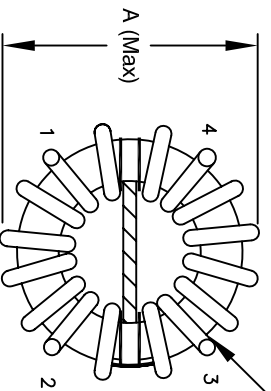
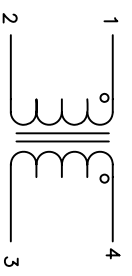
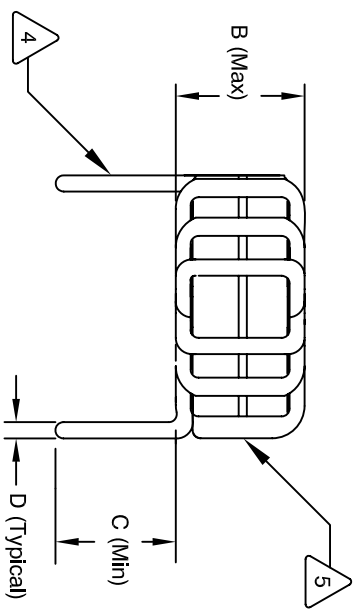


The information contained in this drawing is the sole property of Coil Winding Specialist Inc. (CWS). Any reproduction in part or whole without written permission of CWS is prohibited.



DIMENSIONAL TOLERANCE INCHES [MM]						
A(OD) Max	B(HIGHT) Max	C(LEAD) Min	D(LEAD DIA) TYP	E (Min/Max)	P1 Ref	P2 Ref
1.30 [33.0]	0.74 [18.8]	0.50 [12.7]	0.05 [1.29]		0.25 [6.35]	1.10 [27.94]

REVISION HISTORY					
REV	ECN	DESCRIPTION	BY	DATE	DATE
A.1	1	PRODUCTION RELEASE	KC	01/14/11	01/14/11
B		ELEC. AND MECH. SPEC UPDATE	GN	03/30/11	03/30/11
C		ELEC. AND MECH. SPEC UPDATE	JM	08/06/12	08/06/12



- 6 BUILT TO ROHS COMPLIANCE AND LEAD FREE.
- 5 MARK PART NUMBER AND REVISION.
- 4 TIN LEADS APPROX. 0.5 INCH AND FLUSH WITH THE COIL EDGE.

WEIGHT = 38 GRAMS
 OPERATING TEMP RANGE = -25 °C TO 120°C
 MAX TEMP RISE = 40 °C
 INTERWINDING ISOLATION = 2000 VOLTS RMS, 3mA, 2 sec.
 DCR ON EACH WINDING = 10 mΩ MAX.
 SRF = 1.2 MHz TYP
 RATED VOLTAGE = 250 VAC OR VDC
 RATED CURRENT = 12 AMPS
 LEAKAGE INDUCTANCE = 6.2 uH TYP @ 10 KHZ, 1 Vrms.
 INTERWINDING CAPACITANCE = 2.55 pF TYP @ 10 KHZ
 IMPEDANCE = 4.0 kΩ TYP @ 1.2 MHz
 L = 14.0 mH ± 20% (MIN) @ 1 KHZ, 1 Vrms, 0 ADC
 INSULATION RESISTANCE = 100 MEGA-OHMS MIN. @ 500 VDC
 SPECIFICATIONS AT 25°C:

- 2 WIRE: UL CLASS 200°C
 CWS BYTE-MARK OR OTHER APPROVED PART
 CORE: NANOCRYSTALLINE OR AMORPHOUS CORE
- 1 BOBBIN/CASE = UL CLASS B (130°)
 MATERIAL: UL RECOGNIZED 94V-0 FOR FLAMMABILITY

NOTES: UNLESS OTHERWISE SPECIFIED, READ NOTES FROM BOTTOM TO TOP.

QTY	CODE IDENT	MFG. P/N	DESCRIPTION	ITEM NO.
			PARTS LIST	
			AUTOCAD	
			SOLIDWORKS	
			SIGN	
			DATE	
			DRWN	
			RLAU	
			DATE	
			CHKD	
			AK	
			ENGR	
			JLAU	
			DATE	
			APPR	
			JLAU	
			DATE	
			SIZE	
			DWG. NO.	
			HN-H-902U-12A	
			SCALE	
			NOT TO SCALE	
			SHEET 1 OF 1	