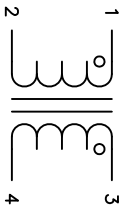


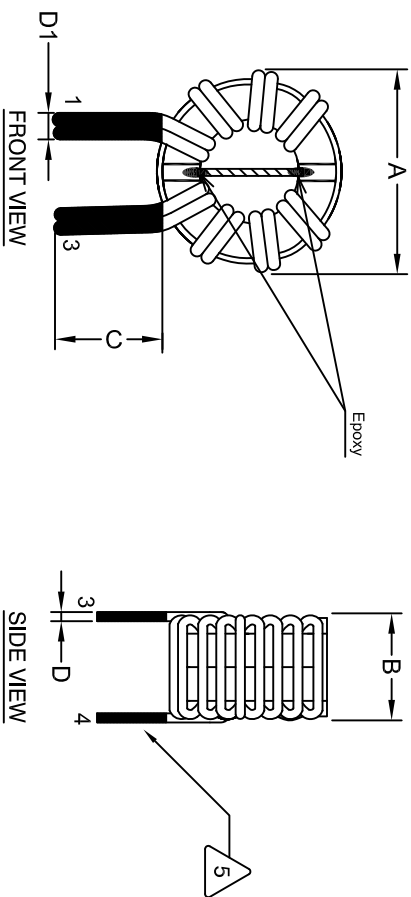
The information contained in this drawing is the sole property of Coil Winding Specialist. Any reproduction in part or whole without written permission of Coil Winding Specialist is prohibited.

DIMENSIONAL TOLERANCE INCHES (MM)									
A(D) MAX	B (WIDTH) MAX	C(LEAD) MIN	D REF	D1 REF	N REF	N1 REF	P2 REF	P2 REF	P2 REF
1.34" [34.00]	0.82" [20.80]	0.50" [12.70]	0.06" [1.60]	0.13" [3.20]	0.15" [3.80]	0.07" [1.84]	0.70" [17.78]	0.50" [12.70]	0.50" [12.70]

REVISION HISTORY				SIGN & DATE	
REV	ECN	DESCRIPTION	BY	DATE	DATE
B	N/A	ELEC. AND MECH. UPDATED	GN	3/20/11	3/20/11
C	160208	REVISE ELECTRICAL AND DIMENSIONS	AK	02/08/16	02/08/16
C1	160208	REVISE DESCRIPTION	JL	07/07/17	07/07/17



SCHEMATIC

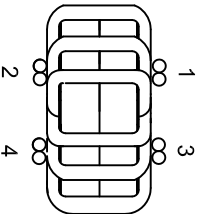


- 7 BUILT TO ROHS COMPLIANCE
- 6 MARK PART NUMBER AND REVISION IF APPLICABLE.
- 5 WITH COIL EDGE: TRIM LEADS APPROX. 0.5 INCH AND FLUSH APPLY EPOXY TO SPACER WHERE SHOWN. REMOVE WIRE INSULATION AND TIN.
- 4 WIND COILS EVENLY SPACED

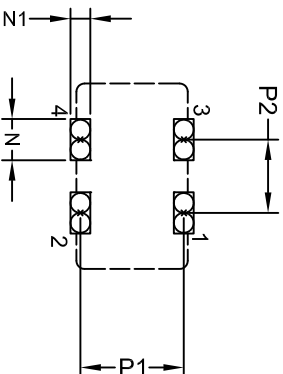
WEIGHT = 40 GRAMS
 MAX TEMP RISE = 40°C
 OPERATING RANGE: -25° TO 120°C
 INTER WINDING ISOLATION = 2000 VOLTS RMS, 3mA, 2 sec.
 INTERWINDING CAPACITANCE = 5.75 pF TYP @ SRF
 IMPEDANCE = 1.08 KΩ TYP @ SRF
 SRF = 7.70 MHz TYPICAL
 LEAKAGE INDUCTANCE = 1.0 uH TYP @ 10KHz, 1Vrms
 INDUCTANCE = 1.40 mH MIN @ 1 KHz, 1 Vrms, 0 Amps
 DCR ON EACH WINDING = 0.95 mΩ MAX
 MAX VOLTAGE ACROSS TERMINALS 1-2 OR 3-4 = 250 VAC OR VDC
 RATED CURRENT = 27.0 AMPS
 INSULATION RESISTANCE = 100 MEGA-OHMS MIN @ 500 VDC
 SPECIFICATIONS @ 25°C

- 3 WIRE: UL CLASS 200°C WIRE
 CWS BYTE-MARK OR OTHER APPROVED PART
 CORE: NANO CRYSTALLINE OR AMORPHOUS CORE
- 2 CASE = UL CLASS B (130°) RATING
- 1 MATERIAL: UL RECOGNIZED

NOTES: UNLESS OTHERWISE SPECIFIED, READ FROM BOTTOM UP.



BOTTOM VIEW



FOOTPRINT

PARTS LIST		AUTOCAD		X		CWS Coil Winding Specialist:	
FORM	REV	DATE	SIGN	DATE	DATE	DATE	DATE
RLAU	AK	12/16/10					
JLAU	AK	12/16/10					
JLAU	AK	03/30/11					