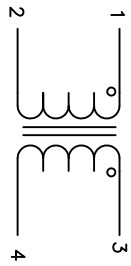


The information contained in this drawing is the sole property of Coil Winding Specialist Inc. (CWS). Any reproduction in part or whole without written permission of CWS is prohibited.

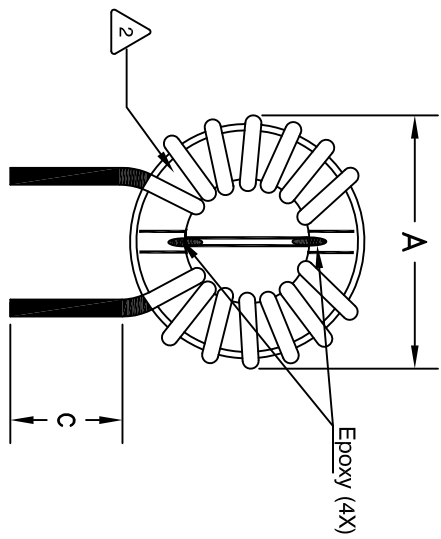


SCHEMATIC

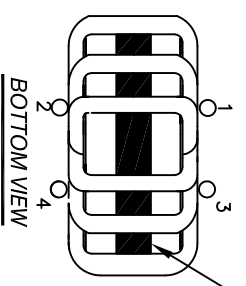
DIMENSIONAL TOLERANCE INCHES [MM]					
A(OD) Max	B(WIDTH) Max	C(LEAD) Min	D (LEAD DIA.)	P1 REF	P2 REF
1.38" [35.00]	0.80" [20.32]	0.50" [12.70]	0.07" [1.83]	0.70" [17.78]	0.50" [12.70]

REVISION HISTORY		SIGN & DATE				
REV	ECN	DESCRIPTION	BY	DATE	CHK	DATE
B	N/A	ELEC. AND MECH. UPDATED	GN	3/30/11	JLW	3/30/11
C	N/A	ELEC. AND MECH. UPDATED	AK	11/08/12	JLW	11/08/12
D	160209	REVERSE ELECTRICAL AND DIMENSIONS	AK	01/15/16	JM	02/15/16
D1	160208	REVERSE DESCRIPTION	AK	07/07/7	JLW	07/07/17
F	N/A	REVERSE ELEC. AND CONSTRUCTION	TN	01/25/18	JL	01/25/18

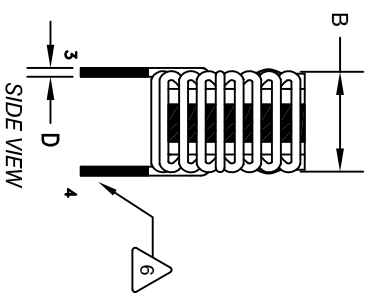
- 1 BUILT TO ROHS COMPLIANCE
- 2 MARK PART NUMBER AND REVISION IF APPLICABLE WITH COIL EDGE
- 3 TRIM LEADS APPROX. 0.5 INCH AND FLUSH APPLY EPOXY TO SPACER WHERE SHOWN
- 4 REMOVE WIRE INSULATION AND TIN
- 5 WRAP CORE WITH KAPTON TAPE WIND COILS EVENLY SPACED CONSTRUCTION:
- 6 WEIGHT = 40 GRAMS
MAX TEMP RISE = 40 °C
INDUCTANCE OPERATING TEMP RANGE = -25 °C TO 120°C
INTERWINDING ISOLATION = 2000 VOLTS RMS, 3mA, 2 sec.
INTERWINDING CAPACITANCE = 3.0pF TYP @ SRF
IMPEDANCE = 2.30KΩ TYP @ SRF
SRF = 5.70 MHz TYPICAL
LEAKAGE INDUCTANCE = 0.70 uH TYP @ 100KHZ, 1Vrms
LS = 3.0mH TYP @ 1KHZ, 1Vrms, 0 Amp
LS = 0.65mH TYP @ 100KHZ, 1Vrms, 0 Amp
INDUCTANCE:
DCR ON EACH WINDING = 2.70mΩ MAX.
MAX VOLTAGE ACROSS TERMINALS 1-2 OR 3-4 = 250VAC OR VDC
RATED CURRENT = 20.0 AMPS
INSULATION RESISTANCE = 100 MEGA-OHMS MIN. @ 500 VDC
SPECIFICATIONS AT 25°C:



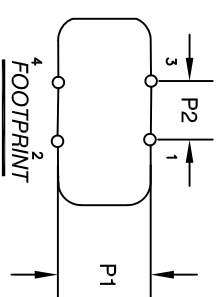
FRONT VIEW



BOTTOM VIEW



SIDE VIEW



FOOTPRINT

- 1 WIRE: UL CLASS 200°C MAGNET WIRE
CWS BYTE-MARK OR OTHER APPROVED PART
CORE: NANOCRYSTALLINE OR AMORPHOUS CORE
CASE = UL CLASS B (130°) REQUIRED
- 2 MATERIAL: UL RECOGNIZED 94V-0 FOR FLAMMABILITY

NOTES: UNLESS OTHERWISE SPECIFIED, READ NOTES FROM BOTTOM TO TOP.

UNLESS OTHERWISE SPECIFIED	
DIMENSIONING AND TOLERANCE PER ANSI Y14.5M AND [DIMETERS]	ANGLE PROJECTION
TOLERANCE INCHES: XXX=±.005 XX=±.015 TOLERANCE METRICES: XXX=±.127 XX=±.38	DO NOT SCALE DRAWING

QTY	CODE IDENT	MFG. P/N	DESCRIPTION	ITEM NO.
PARTS LIST				
AUTOCAD SOLIDWORKS		Coil Winding Specialist Inc.		
SIGN		353 West Grove Ave Orange, California, 92865		
DATE		www.coilw.com sales@coilw.com		
DRWN	RLAU	12/16/10	TITLE: Nanocrystalline Inductor Common Mode Chokes Vertical Mount	
CHKD	AK	12/16/10	SIZE Dwg. No. HN-V-302U-20A	
ENGR	JLW	12/16/10	REV F	
APPR	JLW	03/30/11	SCALE 2=1	