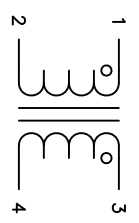


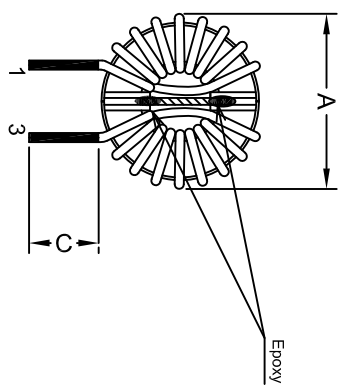
The information contained in this drawing is the sole property of Coil Winding Specialist. Any reproduction in part or whole without written permission of Coil Winding Specialist is prohibited.

DIMENSIONAL TOLERANCE INCHES (MM)					
A(OD) MAX	B (WIDTH) MAX	C(LEAD) MIN	D(LEAD DIA) MIN	P1 REF	P2 REF
1.28" [32.00]	0.75" [19.00]	0.50" [12.70]	0.04" [1.02]	0.70" [17.78]	0.50" [12.70]

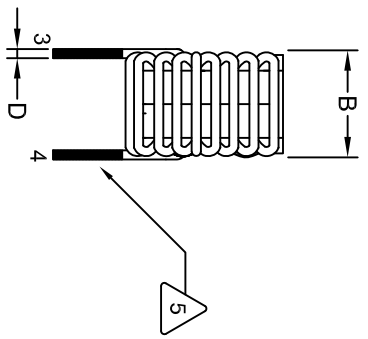
REVISION HISTORY			SIGN & DATE			
REV	ECN	DESCRIPTION	BY	DATE	CHEK	DATE
B	N/A	ELEC. AND MECH. UPDATED	GN	3/30/11	JLU	3/30/11
C	N/A	ELEC. AND MECH. UPDATED	AK	11/08/12	JLU	11/08/12
D	160208	REVISE ELECTRICAL AND DIMENSIONS	AK	02/15/16	JM	02/15/16
D1	160208	REVISE DESCRIPTION	LL	07/07/17	JLU	07/07/17



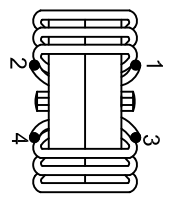
SCHEMATIC



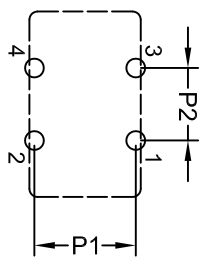
FRONT VIEW



SIDE VIEW



BOTTOM VIEW



FOOTPRINT

- 7 BUILT TO ROHS COMPLIANCE
- 6 MARK PART NUMBER AND REVISION IF APPLICABLE.
- WITH COIL EDGE: TRIM LEADS APPROX. 0.5 INCH AND FLUSH APPLY EPOXY TO SPACER WHERE SHOWN. REMOVE WIRE INSULATION AND TIN.
- 5 WIND COILS EVENLY SPACED
- 4 CONSTRUCTION:

- WEIGHT = 32 GRAMS
- MAX TEMP RISE = 40°C
- OPERATING RANGE: -25° TO 120°C
- INTER WINDING ISOLATION = 2000 VOLTS RMS, 3mA, 2 sec.
- INTERWINDING CAPACITANCE = 14.60 pF TYP @ SRF
- IMPEDANCE = 16.0 kΩ TYP @ SRF
- SRF = 304.0 KHz TYPICAL
- LEAKAGE INDUCTANCE = 25.0 uH TYP @ 10KHz, 1Vrms
- INDUCTANCE = 48.0 mH MIN @ 1 KHz, 1 Vrms, 0 Amps
- DCR ON EACH WINDING = 25.0 mΩ MAX
- MAX VOLTAGE ACROSS TERMINALS 1-2 OR 3-4 = 250 VAC OR VDC
- RATED CURRENT = 7.0 AMPS
- INSULATION RESISTANCE = 100 MEGA-OHMS MIN @ 500 VDC
- SPECIFICATIONS @ 25°C
- 3 WIRE: UL CLASS 200°C WIRE
- CMS BYTE-MARK OR OTHER APPROVED PART
- 2 CORE: NANO CRYSTALLINE OR AMORPHOUS CORE
- 1 CASE = UL CLASS B (130°) RATING
- MATERIAL: UL RECOGNIZED

NOTES: UNLESS OTHERWISE SPECIFIED. READ FROM BOTTOM UP.

UNLESS OTHERWISE SPECIFIED	
DIMENSIONING AND TOLERANCE PER ANSI Y14.5M	
ALL DIMENSIONS ARE IN INCHES AND [DIMENSIONS]	
TOLERANCE INCHES:	∅=±0.30°
POSITIONS:	∅=±0.30°
ANGLES:	∅=±0.30°
ANGLE PROJECTION:	☉
DO NOT SCALE DRAWING	

PARTS LIST		TITLE:	
AUTOCAD SIGN	X	DATE	12/16/10
SOLIDWORKS SIGN		DATE	12/16/10
FORM R1AU		DATE	12/16/10
REBID AK		DATE	12/16/10
ENGR. JLU		DATE	03/30/11
APPR. JLU		DATE	03/30/11
SCALE	N/A	SHEET	ΦF 1

WWW.COILWS.COM, INC
 353 WEST GROVE AVE
 ORANGE, CA 92665 (CAGE: 5DME2)

Nanocrystalline Inductor
 Common Mode Choke
 Vertical Mount CAGE# 5DME2