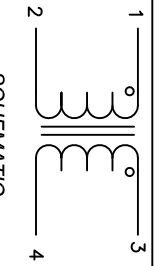


The information contained in this drawing is the sole property of Coil Winding Specialist Inc. (CWS). Any reproduction in part or whole without written permission of CWS is prohibited.



SCHEMATIC

DIMENSIONAL TOLERANCE INCHES [MM]					
A(OD)	B(WIDTH)	C(LEAD)	D (LEAD DIA.)	P1 REF	P2 REF
Max 1.32" [33.50]	Max 0.77" [19.50]	Min 0.50" [12.70]	0.06" [1.63]	0.70" [17.78]	0.50" [12.70]

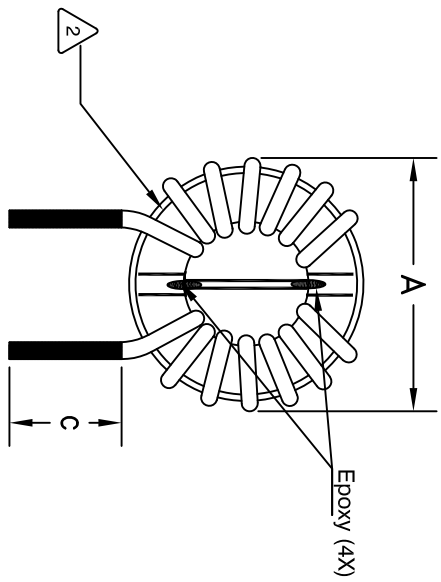
REVISION HISTORY					
REV	ECN	DESCRIPTION	BY	DATE	DATE
B	N/A	ELEC. AND MECH. UPDATED	GN	3/30/11	3/30/11
C	N/A	ELEC. AND MECH. UPDATED	AK	11/06/12	11/06/12
C1	160208	REVERSE DESCRIPTION	JL	07/07/17	07/07/17
D	N/A	REVERSE TEST FREQUENCY & INDUCTANCE	TN	01/12/18	01/12/18

- 7 BUILT TO ROHS COMPLIANCE
- 6 MARK PART NUMBER AND REVISION IF APPLICABLE WITH COIL EDGE
- 5 TRIM LEADS APPROX. 0.5 INCH AND FLUSH APPLY EPOXY TO SPACER WHERE SHOWN
- 4 REMOVE WIRE INSULATION AND TIN
- 3 WRAP CORE WITH KAPTON TAPE
- 2 WIND COILS EVENLY SPACED
- 1 CONSTRUCTION:

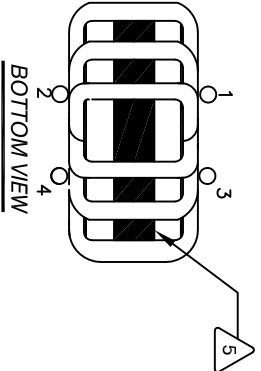
- WEIGHT = 40 GRAMS
- MAX TEMP RISE = 40 °C
- INDUCTANCE OPERATING TEMP RANGE = -25 °C TO 120°C
- INTERWINDING ISOLATION = 2000 VOLTS RMS, 3mA, 2 sec.
- INTERWINDING CAPACITANCE = 3.3pF TYP @ SRF
- IMPEDANCE = 4.50kΩ TYP @ SRF
- SRF = 3.70 MHz TYP
- LEAKAGE INDUCTANCE = 0.70 uH TYP @ 100kHz, 1Vrms
- LS = 5.5mH TYP @ 1kHz, 1Vrms, 0 Amp
- LS = 1.05mH TYP @ 100kHz, 1Vrms, 0 Amp
- INDUCTANCE:
- DCR ON EACH WINDING = 4.50mΩ MAX.
- MAX VOLTAGE ACROSS TERMINALS 1-2 OR 3-4 = 250VAC OR VDC
- RATED CURRENT = 17.0 AMPS
- INSULATION RESISTANCE = 100 MEGA-OHMS MIN. @ 500 VDC
- SPECIFICATIONS AT 25°C:

- 2 WIRE: UL CLASS 200°C MAGNET WIRE
- 1 CWS BYTEMARK OR OTHER APPROVED PART
- 1 CORE: NANOCRYSTALLINE OR AMORPHOUS CORE
- 1 CASE = UL CLASS B (130°) REQUIRED
- 1 MATERIAL: UL RECOGNIZED 94V-0 FOR FLAMMABILITY

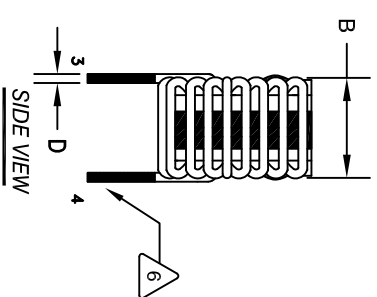
NOTES: UNLESS OTHERWISE SPECIFIED, READ NOTES FROM BOTTOM TO TOP.



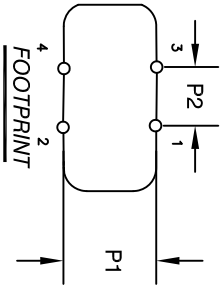
FRONT VIEW



BOTTOM VIEW



SIDE VIEW



FOOTPRINT

UNLESS OTHERWISE SPECIFIED	
DIMENSIONING AND TOLERANCE PER ANSI Y14.5M AND [MILLIMETERS]	DRMM
TOLERANCE INCHES: XXX=±.005 XX=±.015 TOLERANCE METRICS: XXX=±.127 XX=±.38	CHKD
ANGLE PROJECTION	ENGR.
DO NOT SCALE DRAWING	APPR.

QTY	CODE IDENT	MFG. P/N	DESCRIPTION	ITEM NO.
PARTS LIST				
AUTOCAD SOLIDWORKS		Coil Winding Specialist Inc.		
SIGN		sales@coilws.com		
DATE		353 West Grove Ave		
DATE		Orange, California. 92865		
TITLE: Nanocrystalline Inductor				
Common Mode Chokes				
Vertical Mount				
SIZE	DWG. NO.	SCALE	REV	
B	HN-V-552U-17A	2=1	D	
SHEET 1		OF 1		