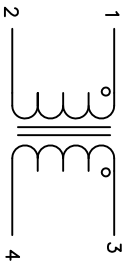


The information contained in this drawing is the sole property of Coil Winding Specialist Inc. (CWS). Any reproduction in part or whole without written permission of CWS is prohibited.



SCHEMATIC

- 8 BUILT TO ROHS COMPLIANCE
- 7 MARK PART NUMBER AND REVISION IF APPLICABLE WITH COIL EDGE
- 6 REMOVE WIRE INSULATION AND TIN
- 5 WRAP CORE WITH KAPTON TAPE
- 4 WIND COILS EVENLY SPACED CONSTRUCTION:

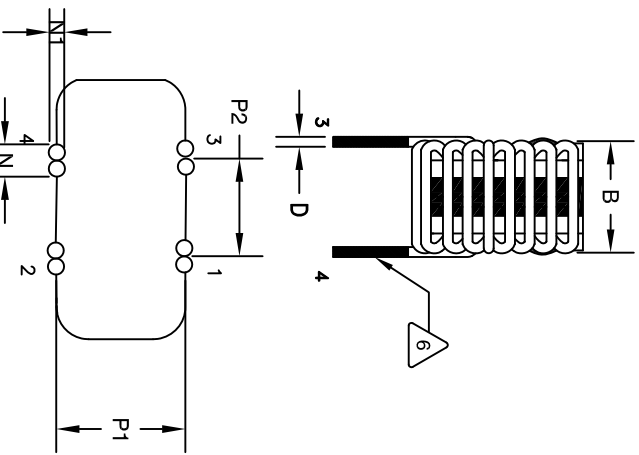
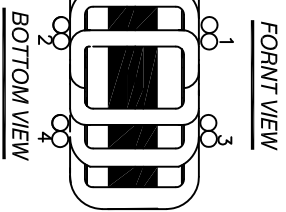
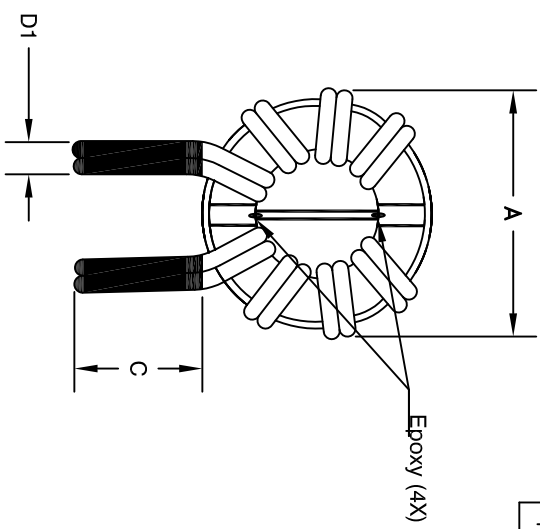
WEIGHT = 42 GRAMS
 MAX TEMP RISE = 40 °C
 OPERATING TEMP RANGE = -25 °C TO 120°C
 INTERWINDING ISOLATION = 2000 VOLTS RMS, 3mA, 2 sec.
 INTERWINDING CAPACITANCE = 15.70pF TYP @ SRF
 |Z| = 0.52 KILO-OHMS TYP. @ SRF
 SRF = 4.3MHz TYP.
 LEAKAGE INDUCTANCE = 0.95 uH TYP @ 10KHz, 1Vrms
 Ls = 0.75mH TYP @ 1KHz, 1Vrms, 0 Amp
 Ls = 0.12mH TYP @ 100KHz, 1Vrms, 0 Amp
 INDUCTANCE:
 DCR ON EACH WINDING = 1.0 mΩ MAX.
 MAX VOLTAGE ACROSS TERMINALS 1-2 OR 34 = 250VAC OR VDC
 RATED CURRENT = 40.0 AMPS
 INSULATION RESISTANCE = 100 MEGA-OHMS MIN. @ 500 VDC
 SPECIFICATIONS AT 25°C:

- 2 WIRE: UL RECOGNIZED 200°C RATED MAGNET WIRE
 CWS BYTE-MARK OR OTHER APPROVED PART
 CORE: NANOCRYSTALLINE OR AMORPHOUS CORE
- 1 BOBBIN RATING CLASS B (200°) REQUIRED
 MATERIAL: UL RECOGNIZED 94V-0 FOR FLAMMABILITY

NOTES: UNLESS OTHERWISE SPECIFIED, READ NOTES FROM BOTTOM TO TOP.

DIMENSIONAL TOLERANCE INCHES [MM]									
A(OD) Max	B(WIDTH) Max	C(LEAD) Min	D REF	D1 REF	N REF	N1 REF	P1 REF	P2 REF	
1.50" [38.10]	0.95" [24.13]	0.50" [12.70]	0.07" [1.80]	0.14" [3.60]	0.16" [4.14]	0.08" [2.07]	0.75" [19.00]	0.61" [15.50]	

REVISION HISTORY						
REV	ECN	DESCRIPTION	BY	DATE	CHK	DATE
E	160208	REVISE ELECTRICAL AND DIMENSIONS	AK	02/15/16	JM	02/15/16
E1	160208	REVISE DESCRIPTION	JL	07/07/17	JLJU	07/07/17
F	N/A	REVISED & UPDATED ELEC. & MECH. SPEC.	TN	03/05/18	JLJU	03/05/18



UNLESS OTHERWISE SPECIFIED
 DIMENSIONING AND TOLERANCE PER ANSI Y14.5M
 ALL DIMENSIONS ARE IN INCHES AND [MILLIMETERS]
 TOLERANCE INCHES: \pm = ±0.30"
 .XXX = ±.005 XX = ±.015
 TOLERANCE METRICES: \pm = ±.38
 .XXX = ±.127 .XX = ±.50
 ANGLE PROJECTION ϕ
 DO NOT SCALE DRAWING

QTY	CODE	IDENT	MFG. P/N	DESCRIPTION	ITEM NO.
	AUTOCAD	X			
	SOLIDWORKS				
	DRWN	RLAU	12/16/10		
	CHKD	AK	12/16/10		
	ENGR	JLJU	12/16/10		
	APPR	JLJU	12/16/10		

SIZE	DWG. NO.	SCALE	SHEET	OF
B	HN-V-901U-40A	2=1	1	1

PARTS LIST

www.coilw.com
 sales@coilw.com
 Coil Winding Specialist Inc.
 353 West Grove Ave
 Orange, California. 92865

TITLE: Nanocrystalline Inductor
 Common Mode Chokes
 Vertical Mount