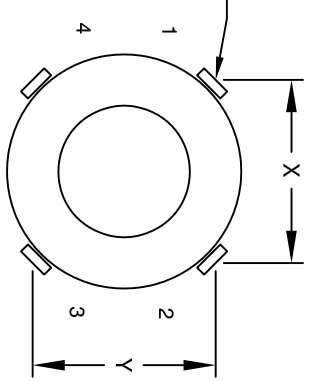
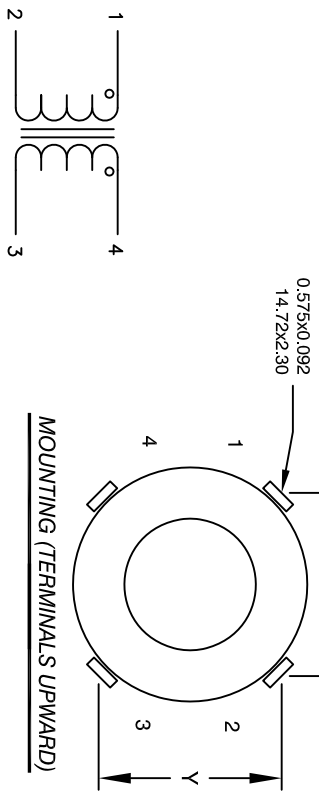
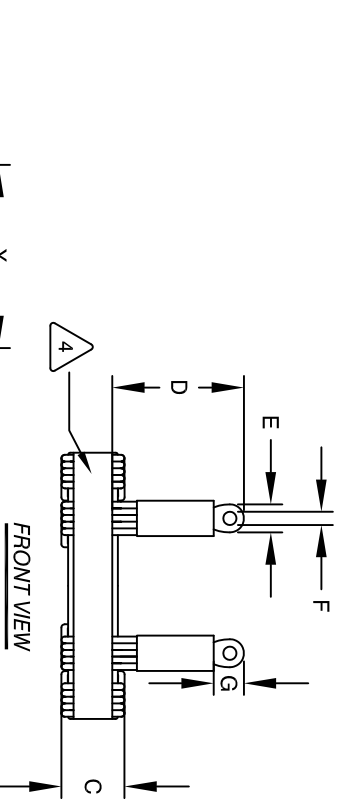
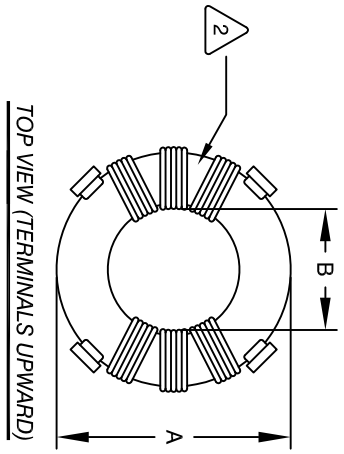


The information contained in this drawing is the sole property of CMS Coil Winding Specialist. Any reproduction in part or whole without written permission of CMS Coil Winding Specialist is prohibited.

DIMENSIONAL TOLERANCES INCHES [MM]									
A	B	C	D	E	F	G	X	Y	
MAX	MIN	MAX	REF	REF	REF	REF	REF	REF	
2.80 [71.12]	0.98 [25.00]	0.90 [20.25]	1.89 [45.00]	0.50±0.08 [12.80±2.00]	0.268 [6.80]	0.453 [11.50]	1.66 [42.30]	2.20 [56.00]	

REVISION HISTORY				
REV	ECN	DESCRIPTION	BY	DATE
A		PRODUCTION RELEASE	JL	05/22/17



5 BUILT TO ROHS COMPLIANCE AND LEAD FREE.

4 MARK PART NUMBER AND REVISION, DATE CODE IF APPLICABLE.

WEIGHT = 290 GRAMS  
 OPERATING TEMP RANGE = -25 °C TO 120°C  
 MAX TEMP RISE = 40 °C  
 INTERWINDING ISOLATION = 2000 VOLTS RMS,  
 DCR ON EACH WINDING = 0.5 mΩ MAX.  
 SRF = 1.0 MHZ  
 RATED VOLTAGE = 500 VAC OR VDC  
 RATED CURRENT = 83 AMPS  
 LEAKAGE INDUCTANCE = 2.5 uH TYP @ 10 KHZ, 1 Vrms.  
 INTERWINDING CAPACITANCE = 3.75 pF TYP @ SRF.  
 IMPEDANCE = 116 Ω TYP @ SRF.  
 L = 120 uH MIN @ 1 KHZ, 1 Vrms, 0 ADC  
 INSULATION RESISTANCE = 100 MEGA-OHMS MIN. @ 500 VDC  
 SPECIFICATIONS AT 25°C.

2 WIRE: UL RECOGNIZED 200°C RATED MAGNET WIRE  
 CWS BYTE-MARK OR OTHER APPROVED PART  
 CORE: HIGH PERM FERRITE

1 BOBBIN RATING CLASS B (200°) REQUIRED  
 MATERIAL: UL RECOGNIZED 94V-0 FOR FLAMMABILITY

NOTES: UNLESS OTHERWISE SPECIFIED, READ NOTES FROM BOTTOM TO TOP.

CODE IDENT	MFG. P/N	DESCRIPTION	ITEM NO.
		<b>PARTS LIST</b>	
AUTOCAD			
SOLIDWORKS			
SIGN			
DATE			
05/22/17			
CHKD			
AM			
05/22/17			
ENGR			
KLC			
05/22/17			
APPR			
KLC			
05/22/17			
SIZE	DWG. NO.		REV
B	LN-H-121U-83A		A
SCALE	NOT TO SCALE		
		SHEET	1 OF 1

UNLESS OTHERWISE SPECIFIED

DIMENSIONING AND TOLERANCE PER ANSI Y14.5M AND [MILLIMETERS].

TOLERANCE INCHES: .XX=±0.05 .XX=±0.15 .XX=±0.30 .XX=±.127 .XX=±.38

ANGLE PROJECTION DO NOT SCALE DRAWING

COILS COM, INC  
 353 W Grove Ave  
 Orange, CA 92865

CWS Coil Winding Specialist  
 Common Mode Chokes  
 Horizontal Mount

CAD-FILE: