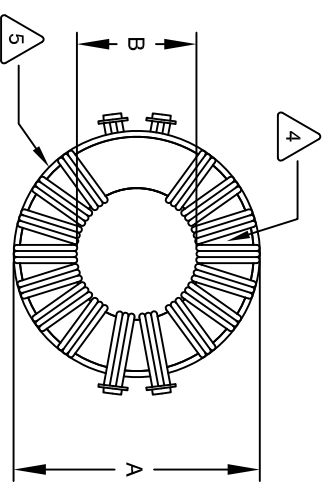


The information contained in this drawing is the sole property of CMS Coil Winding Specialist. Any reproduction in part or whole without written permission of CMS Coil Winding Specialist is prohibited.

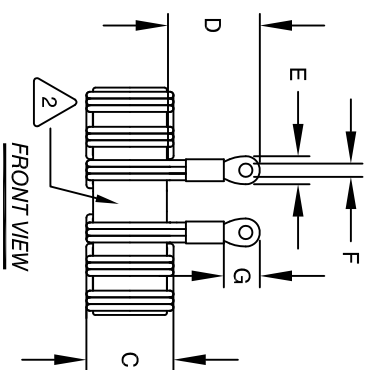
DIMENSIONAL TOLERANCES INCHES [MM]

A	B	C	D	E	F	G	X	Y
MAX 3.80 [96.52]	MAX 2.00 [50.80]	MAX 1.35 [34.29]	REF 2.00 [50.80]	REF 0.060±0.025 [1.52±1.58]	REF 0.268 [6.80]	REF 0.75 [19.05]	REF 3.36 [85.40]	REF 0.75 [19.05]

REVISION HISTORY		SIGN & DATE	
REV	ECN	BY	DATE
A	PRODUCTION RELEASE	JL	05/12/17



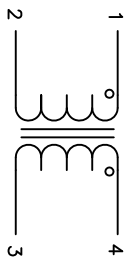
TOP VIEW (TERMINALS UPWARD)



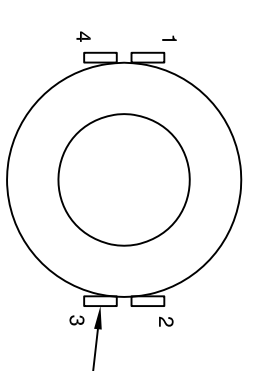
FRONT VIEW

- 6 BUILT TO ROHS COMPLIANCE AND LEAD FREE.
- 5 MARK PART NUMBER AND REVISION, DATE CODE IF APPLICABLE.
- 4 EPOXY COIL TO CASE

WEIGHT = 820 GRAMS
 OPERATING TEMP RANGE = -25 °C TO 120 °C
 MAX TEMP RISE = 40 °C
 INTERWINDING ISOLATION = 2000 VOLTS RMS,
 DCR ON EACH WINDING = 1.3 mΩ MAX.
 SRF = 2.5 MHz
 RATED VOLTAGE = 500 VAC OR VDC
 RATED CURRENT = 100 AMPS
 LEAKAGE INDUCTANCE = 7.7 uH TYP @ 10 KHz, 1 Vrms.
 INTERWINDING CAPACITANCE = 4 pF TYP @ SRF.
 IMPEDANCE = 3.2 kΩ TYP @ 1 MHz.
 L = 6 mH MIN @ 1 KHz, 1 Vrms, 0 ADC
 INSULATION RESISTANCE = 100 MEGA-OHMS MIN. @ 500 VDC
 SPECIFICATIONS AT 25°C:



SCHEMATIC



MOUNTING (TERMINALS UPWARD)

- 2 WIRE: UL RECOGNIZED 200°C RATED MAGNET WIRE
 CWS BYTEMARK OR OTHER APPROVED PART
 CORE: NANOCRYSTALLINE OR AMORPHOUS CORE
- 1 BOBBIN RATING CLASS B (200°) REQUIRED
 MATERIAL: UL RECOGNIZED 94V-0 FOR FLAMMABILITY

NOTES: UNLESS OTHERWISE SPECIFIED, READ NOTES FROM BOTTOM TO TOP.

CODE IDENT	MFG. P/N	DESCRIPTION	ITEM NO.
PARTS LIST			
AUTOCAD SOLIDWORKS	X	CWS Coil Winding Specialist. 353 W Grove Ave Orange, CA 92865	
UNLESS OTHERWISE SPECIFIED			
DIMENSIONING AND TOLERANCE PER ANSI Y14.5M AND [MILLIMETERS].	DRWN JL	TITLE: Nanocrystalline Inductor Common Mode Chokes Horizontal Mount	
TOLERANCE INCHES: .XXX=±.005 .XX=±.015 .X=±.030 .XX=±.127 .X=±.38	CHKD AM		
ANGLE PROJECTION	ENGR. KLC	SIZE [Dwg. No.] B	REV A
DO NOT SCALE DRAWING	APPR. KLC	SCALE NOT TO SCALE	