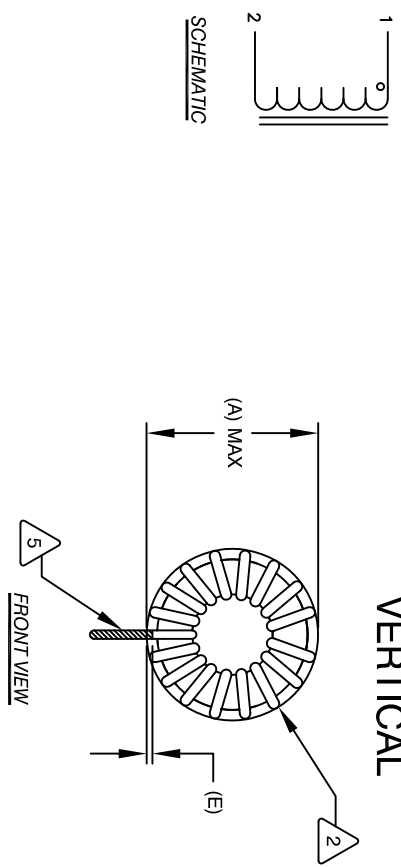


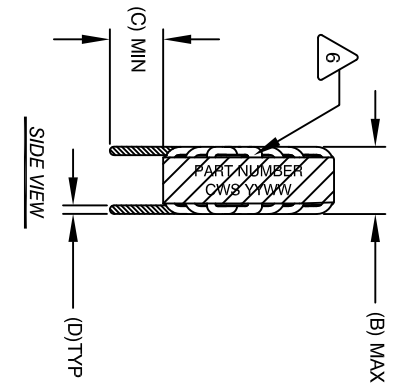
The information contained in this drawing is the sole property of Coil Winding Specialist. Any reproduction in part or whole without written permission of Coil Winding Specialist is prohibited.

DIMENSIONALS MEASURED IN INCHES AND (MM)					
A (OD)	B (HGT)	C (LEAD)	D (LEAD OD)	E	P1
MAX 1.350"	MAX .850"	MIN .500"	TYP .082"	MIN/MAX .002-.100"	REF .600"
[34.29]	[16.51]	[12.70]	[1.57]	[0.50-2.50]	[15.24]

VERTICAL



REVISION HISTORY			SIGN & DATE			
REV	ECN	DESCRIPTION	BY	DATE	DATE	
A	N/A	PRODUCTION RELEASE	KLC	10/1/10	AK	10/1/10
B	151117-1	UPDATE INFORMATION	AK	11/17/15	BO	11/17/15



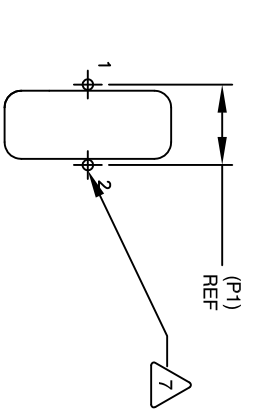
DC Bias	
0 Amp	33 uH
5 Amp	33 uH
10 Amp	31 uH
15 Amp	30 uH
16 Amp	29 uH

- 8 BUILD TO ROHS COMPLIANCE
- 7 GREATER THAN DIMENSION (D) BY 15%
MOUNTING HOLE SIZE ON PCB BOARD SHOULD BE
- 6 LABEL PART NUMBER AND REVISION, IF APPLICABLE
WRAP INDUCTOR WITH GLASS TAPE
- 5 (C) AND (E)
REMOVE INSULATION AND TIN LEADS BASED ON DIMENSIONS
- 4 WIND COILS EVENLY SPACED AROUND THE CORE
CONSTRUCTION:

WEIGHT = 47 GRAMS
 OPERATING TEMP RANGE = -25°C TO 120°C
 MAXIMUM TEMPERATURE RISE = 40°C
 SRF = GREATER THAN 10 MHz
 CURRENT RATING = 8.0 AMPS
 DCR = 10.0 MILLI-OHMS MAX
 INDUCTANCE = 33 uH ± 15% @ 1 KHz, 250mV
 SPECIFICATIONS @ 25°C

- 2 WIRE/CLASS 200°C RATED
CWS BYTEMARK OR OTHER APPROVED PART
- 1 RATING CLASS B (130 °C MINIMUM) REQUIRED
MATERIAL: UL RECOGNIZED FOR FLAMMABILITY

NOTES: UNLESS OTHERWISE STATED, READ NOTES FROM BOTTOM UP



MOUNTING PATTERN

UNLESS OTHERWISE SPECIFIED		PARTS LIST	
AUTOCAD SOLIDWORKS SIGN	X	SALES@COILWS.COM/ WWW.COILWS.COM	CWS Coil Winding Specialist.
DRAWN	10/1/10	DATE	353 W Grove Ave Orange, CA 92665
CHKD	AK	10/1/10	
ENGR	KLC	10/1/10	
APPR	KLC	10/1/10	
TITLE: Toroidal Power Chokes		SIZE	INCH. NO.
33 uH, 16 Amp		MF270-330M-16AV	REV B
SCALE: N/A		SHEET 1 OF 1	