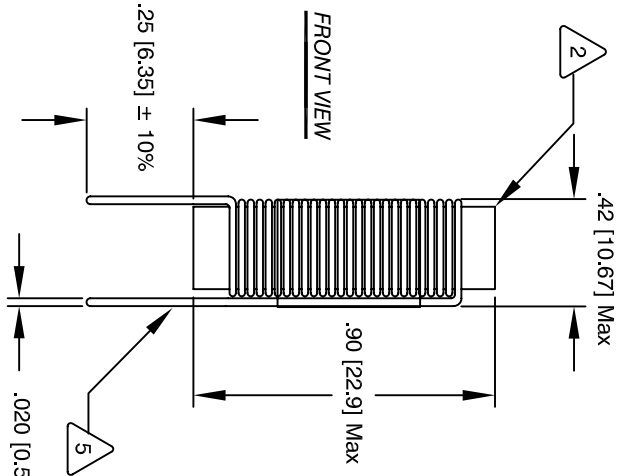


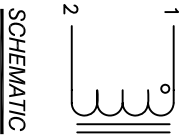
The information contained in this drawing is the sole property of CMS Coil Winding Specialist. Any reproduction in part or whole without written permission of CMS Coil Winding Specialist is prohibited.

VERTICAL MOUNT



REVISION HISTORY

REV	ECN	DESCRIPTION	BY	DATE	CHK	DATE
A		PRODUCTION RELEASE	TKK	1/14/05	JLJU	1/14/05
B		MECH. DIMENSION CHANGE	AK	8/3/12	JLJU	8/3/12



SCHEMATIC

INDUCTANCE DROPS 10% FROM ZERO ADC VALUE
SATURATION CURRENT IS THE CURRENT AT WHICH THE
TEMP. RISE ABOVE AMBIENT OF 25 °C.
MAX DC CURRENT IS AVERAGE CURRENT FOR 40 °C

- 6 NOTES:
EPOXY LEADS TO CORE
.05" ABOVE THE CORE EDGE, AND
- 5 REMOVE INSULATION AND TIN LEADS

- 4 WIND COILS EVENLY SPACED
CONSTRUCTION:

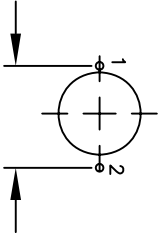
MAX TEMP RISE AT MAX CURRENT = 40 °C
HIPOT TEST FOR CORE TO WINDING = 500 VDC
DCR = 190 MILLI-OHMS MAX @ 25 °C
SATURATION CURRENT = 1 AMPS
L = 100 uH ± 10% , 15.75 KHz, 0.1 Vrms, 0 ADC;

- 3 SPECIFICATIONS: MAX RMS (DC) CURRENT = 1 AMPS
- WIRE: UL RECOGNIZED 130°C RATED MAGNET WIRE
CWS BYTEMARK OR OTHER APPROVED PART
CORE: MANGANESE ZINC FERRITE ROD

- 2 RATING CLASS B (130°C) REQUIRED
- 1 MATERIAL: WIRE INSULATION - UL RECOGNIZED 94V-0 FOR FLAMMABILITY

NOTES: UNLESS OTHERWISE SPECIFIED, POWER INDUCTOR,
DIMENSIONS IN INCHES [MM]. READ FROM BOTTOM UP

MOUNTING HOLES PATTERN



PARTS LIST

CODE IDENT	MFG. P/N	DESCRIPTION	ITEM NO.
AUTOCAD	X		
SOLIDWORKS			
DRWING	TKK	DATE	
CHKD	JLJU	1/14/05	
ENGR	KSUM	1/14/05	
APPR	JLJU	1/14/05	
TITLE:		Power Chokes	
SIZE (ING. NO.)		PV-104-01	REV B
SCALE		2=1	SHEET 1 OF 1

sales@coilws.com
www.coilws.com
Coil Winding Specialist, Inc.
353W, Grove Ave.,
Orange, CA 92865