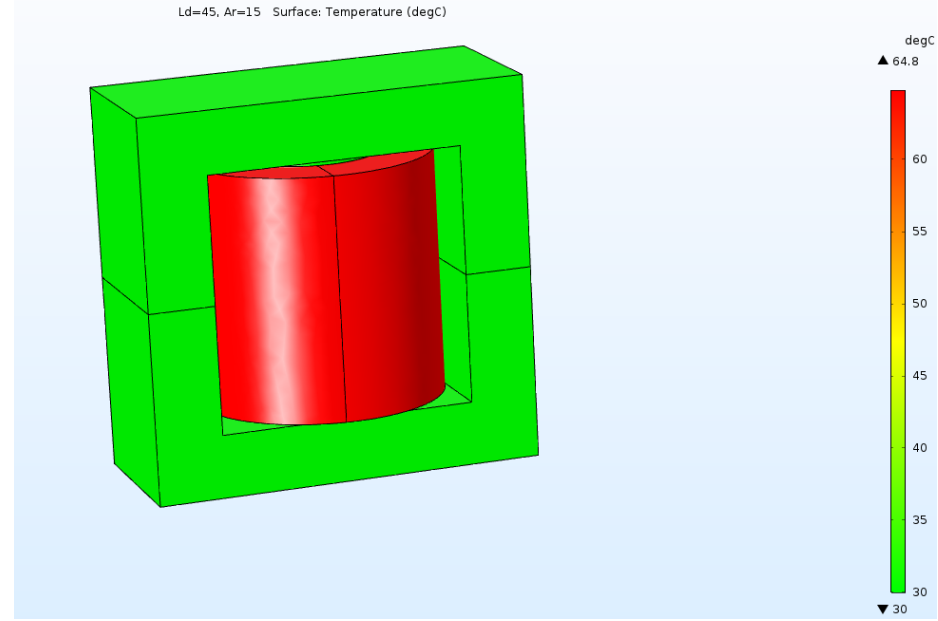
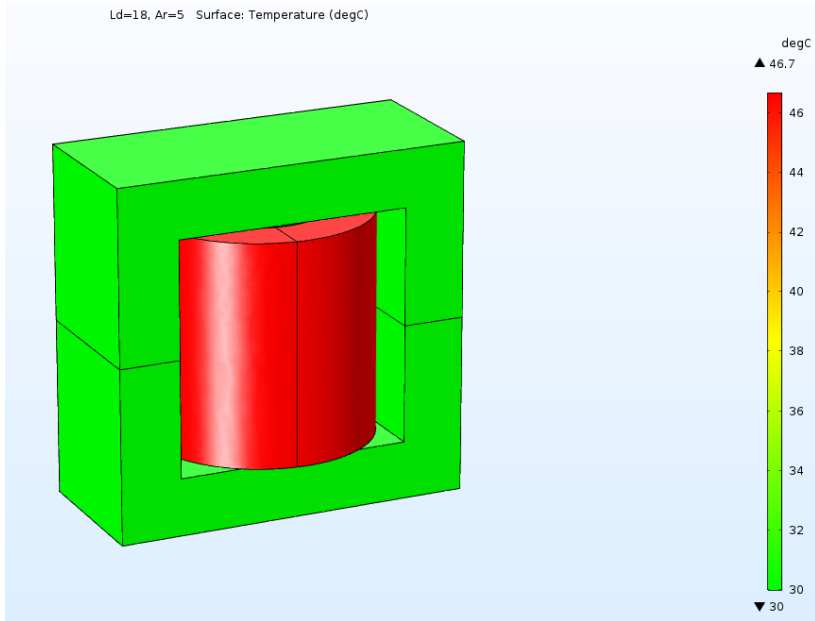
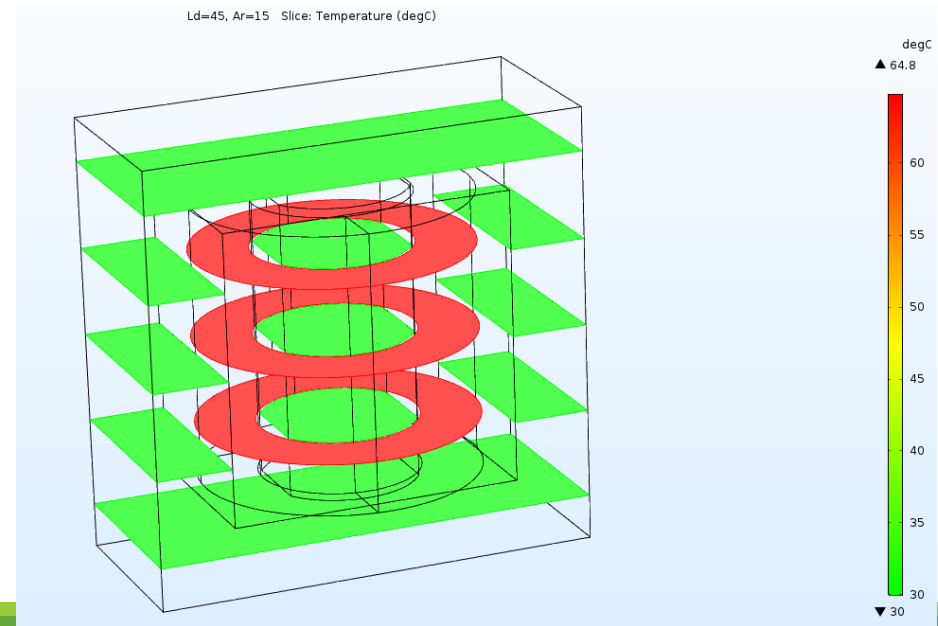
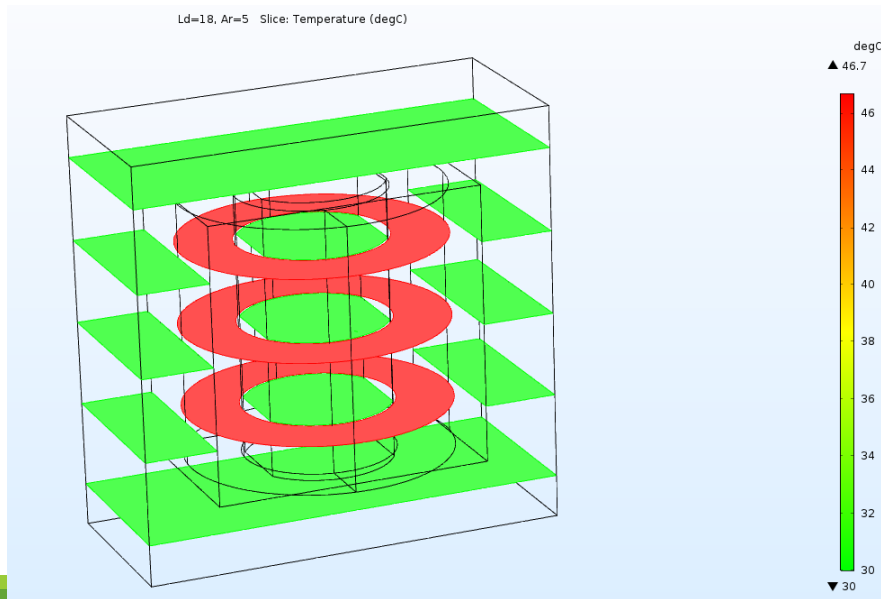


Thermal and Electromagnetics simulation – Part # EK55246-171M-60AH – Current rated 60A @ 10kHz

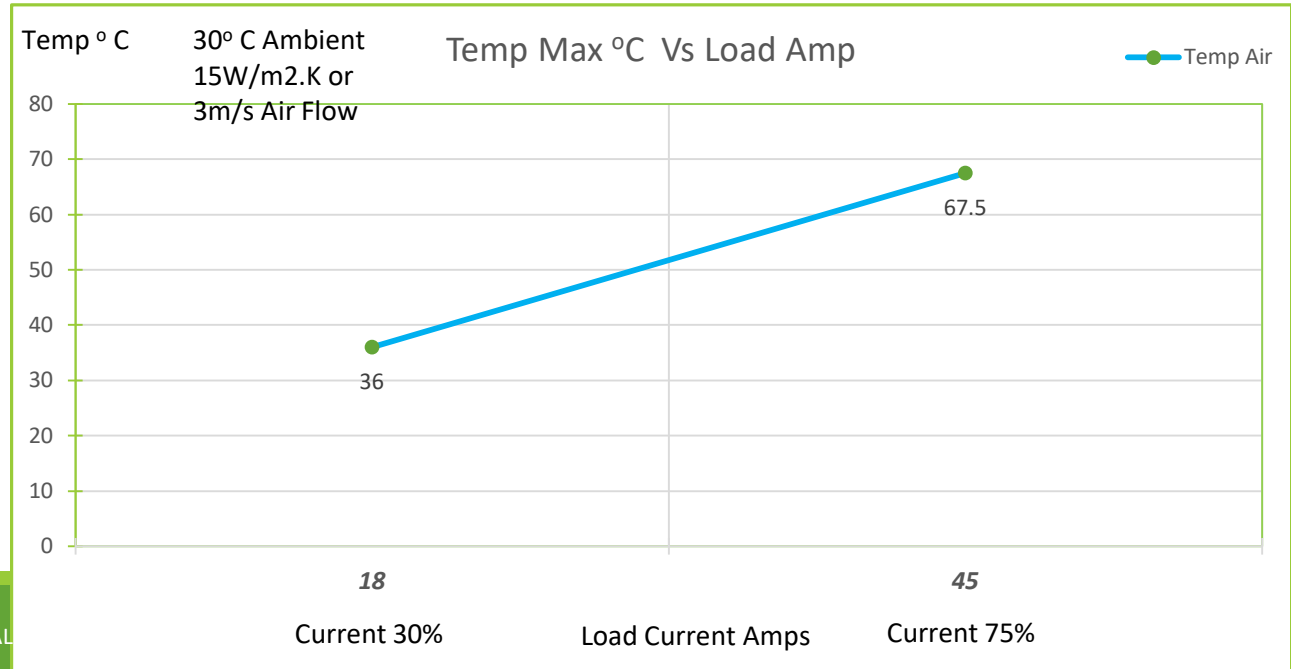
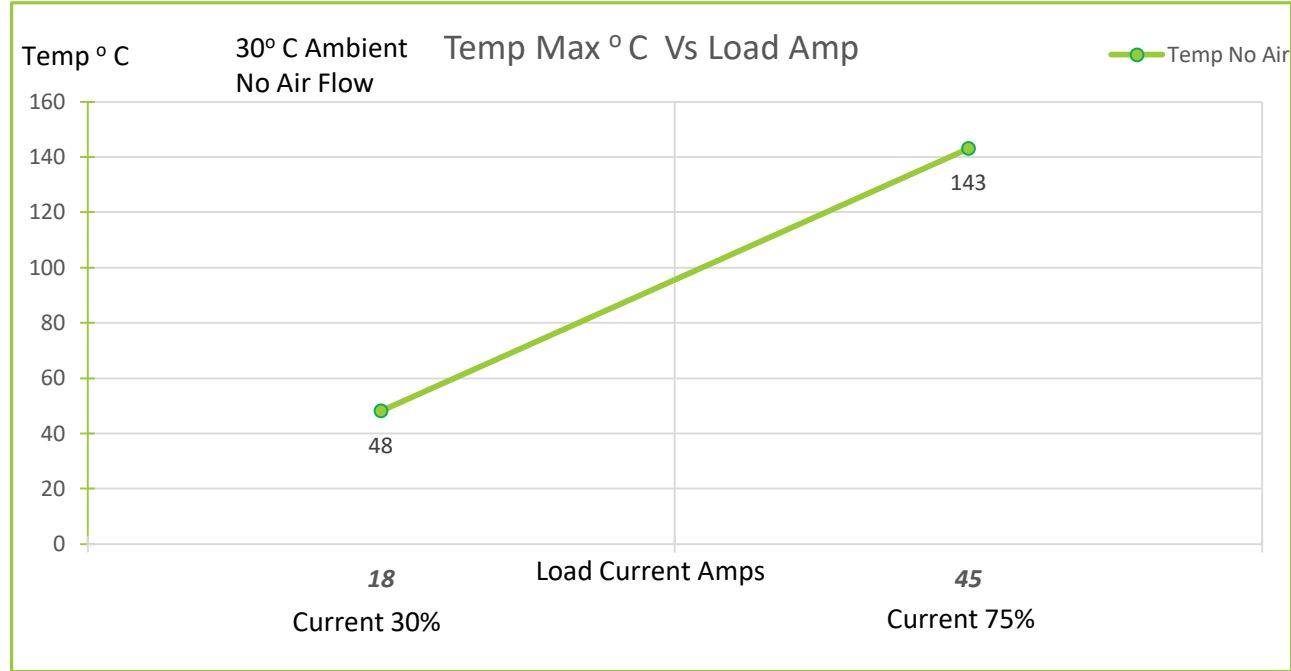
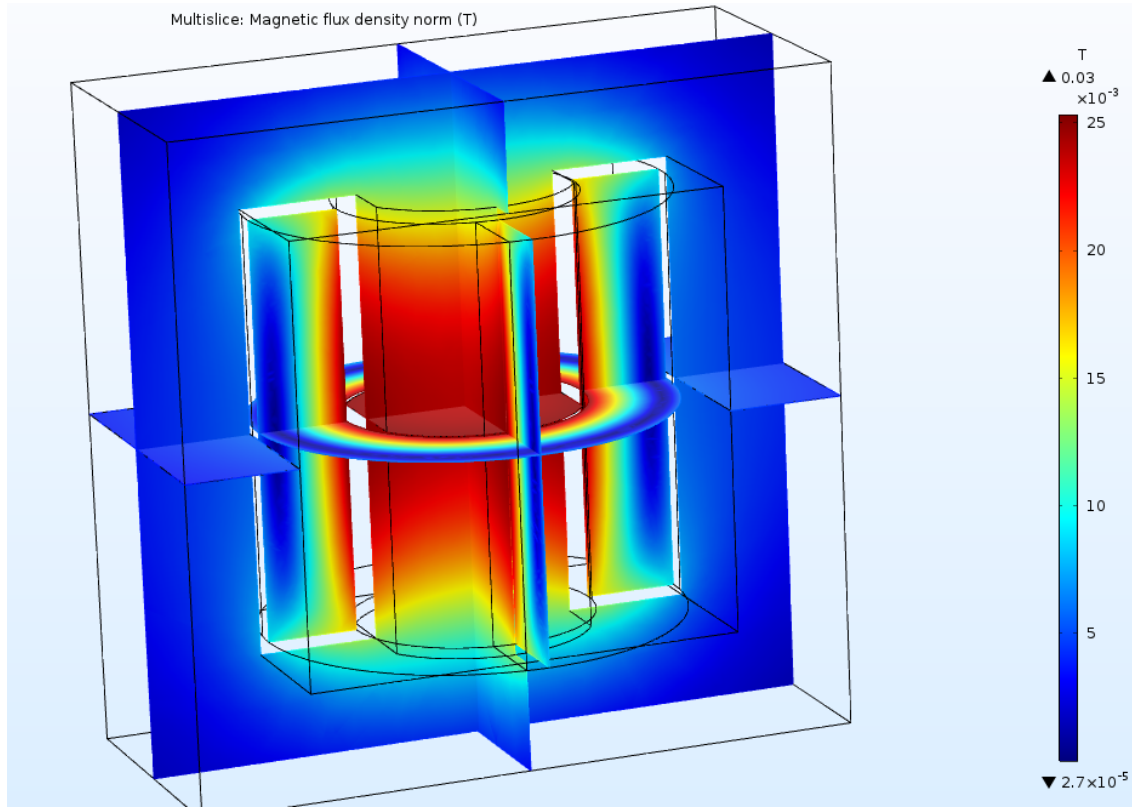
Current 30% (18 A)
No Airflow
Natural convection

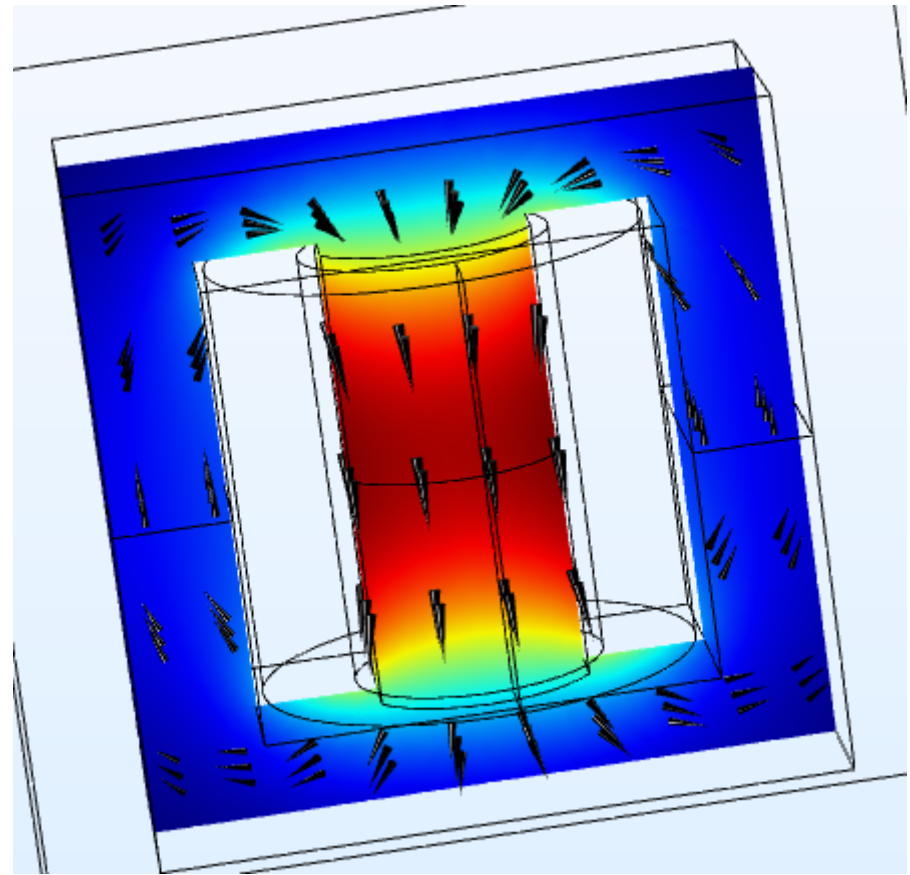
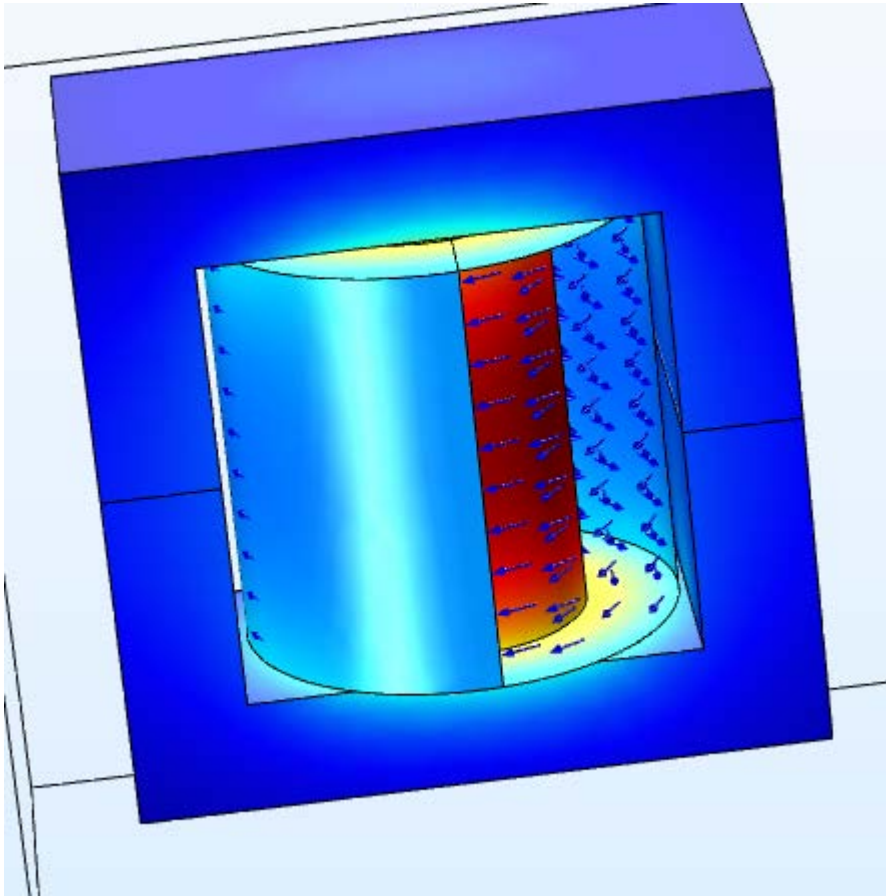


Current 75% (45 A)
15 W/ (m²K) or
3 m/s air flow.



Thermal and Electromagnetics simulation – Part # EK55246-171M-60AH – Current rated 60A @ 10kHz





Abbreviations

Ld	: Current rated Amps
Ar	: Airflow
W/m ² .K	: Watts / Sq meter .Kelvin – Heat Convection rate
m/s	: Meter/ Second - Airflow
degC	: Temperature in Deg C
T	: Tesla – Magnetic Flux density
Temp	: Temperature
Temp max:	Temperature Maximum
Amb	: Ambient Temperature
Amps	: Ampere Load current.
Slice	: Sectional view