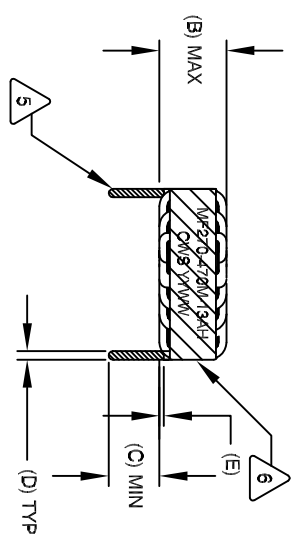


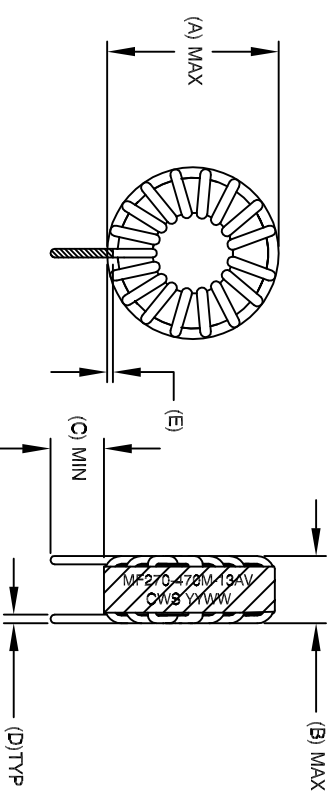
The information contained in this drawing is the sole property of CWS Coil Winding Specialist. Any reproduction in part or whole without written permission of CWS Coil Winding Specialist is prohibited.

DIMENSIONAL TOLERANCE						
A (OD) MAX	B (HGT) MAX	C (LEAD) MIN	D (LEAD OD) TYP	E MIN/MAX	P1 REF	P2 REF
1.300 [33.02]	.850 [21.51]	.500 [12.70]	.071+ [1.80]	.040-.080 [1.00-1.90]	.800 [20.32]	1.200 [30.48]

REVISION HISTORY			SIGN & DATE			
REV	ECN	DESCRIPTION	BY	DATE	CHK	DATE
A		INITIAL RELEASE	KJC	10/1/10	AK	10/1/10



FRONT VIEW



FRONT VIEW

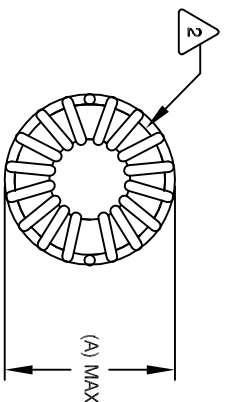
SIDE VIEW

HORIZONTAL

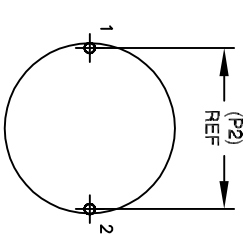
VERTICAL

- 8 BUILD TO ROHS COMPLIANCE
- ** ADD SUFFIX "H" FOR HORIZONTAL & "V" FOR VERTICAL
- 6 USING A PERMANENT MARKING METHOD MARK PART NUMBER AND REVISION, IF APPLICABLE WRAP INDUCTOR WITH 3M # 69 OR EQUAL

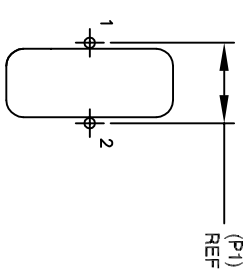
- 5 TO THE CORE MUST REST FLAT ON PCB, LEADS MUST BE TANGENT FLUSH WITH THE COIL EDGE AS SHOWN (I.E. COIL REMOVE INSULATION AND TIN LEADS 0.50 INCH
- 4 WIND COILS EVENLY SPACED AROUND THE CORE CONSTRUCTION:



BOTTOM VIEW

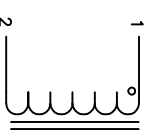


MOUNTING HOLES PATTERN



MOUNTING HOLES PATTERN

- 3 THESE SPECIFICATIONS ARE BASED ON LOW RIPPLE CURRENT WEIGHT: ~ 45 GRAM OPERATING TEMP: -55°C TO +180°C HI-POT TEST FOR WINDING TO CORE ISOLATION = 1250 VDC 5 SEC AT IDC OF 13 AMPS, LESS THAN 40 °C TEMP. RISE DCR = 15.0 MILLI-OHMS MAX. INDUCTANCE @ 13.0 AMP ~ 38 uH (LESS THAN 10% RIPPLE) INDUCTANCE = 47 uH ± 15% @ LOW DC BIAS, 100 KHZ, 250mV SPECIFICATIONS:
- 2 WIRE: UL RECOGNIZED 200°C RATED MAGNET WIRE CWS BYTEMARK OR OTHER APPROVED PART CORE: POWDERED TOROIDAL CORE
- 1 RATING CLASS H (180 °C) REQUIRED MATERIAL: UL RECOGNIZED 94V-0 FOR FLAMMABILITY



SCHEMATIC

NOTES: UNLESS OTHERWISE STATED, READ NOTES FROM BOTTOM UP

CODE IDENT	MFG. P/N	DESCRIPTION	ITEM NO.
AUTOCAD	X		
SOLIDWORKS			
SIGN	DATE	PARTS LIST	
DRWML	10/1/10	CWS Coil Winding Specialist.	
GRD	10/1/10	353 W Grove Ave	
ENR	10/1/10	Orange, CA 92865	
APPR	10/1/10	TITLE: POWER INDUCTOR, HIGH TEMP	
		47 uH, 13 Amp	
		SIZE: Dwg. No.	REV
		B	A
		SCALE: 2=1	SHEET 1 OF 1