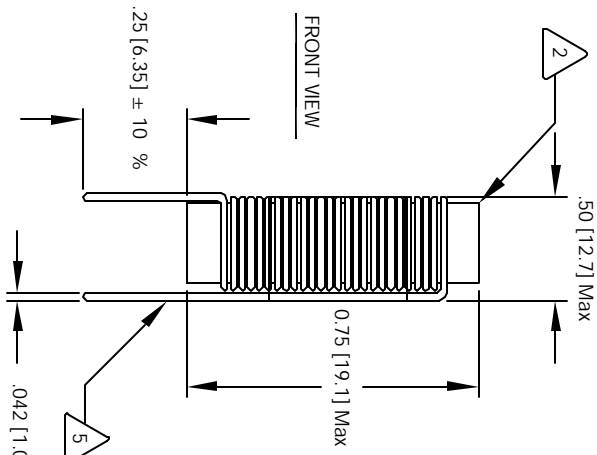


The information contained in this drawing is the sole property of CWS Coil Winding Specialist. Any reproduction in part or whole without written permission of CWS Coil Winding Specialist is prohibited.

REVISION HISTORY			
REV	ECN	DESCRIPTION	DATE
A		PRODUCTION RELEASE	12/11/04



- 6 EPOXY LEADS TO CORE
.05" ABOVE THE CORE EDGE, AND
REMOVE INSULATION AND TIN LEADS
- 5 WIND COILS EVENLY SPACED
- 4 CONSTRUCTION:

MAX TEMP RISE AT MAX CURRENT = 40 °C
HI-POT TEST FOR CORE TO WINDING = 500 VDC
DCR = 17 MILLI-OHMS MAX @ 25 °C
SATURATION CURRENT = 5 AMPS
L = 10 uH ± 10%, 15.75 KHZ, 0.1 Vrms, 0 ADC;
SPECIFICATIONS: MAX RMS (DC) CURRENT = 5 AMPS

- 3 WIRE: UL RECOGNIZED 130°C RATED MAGNET WIRE
CWS BYTEMARK OR OTHER APPROVED PART
CORE: MANGANESE ZINC FERRITE ROD
- 2 RATING CLASS B (130°C) REQUIRED

1 MATERIAL: WIRE INSULATION - UL RECOGNIZED 94V-0 FOR FLAMMABILITY

NOTES: UNLESS OTHERWISE SPECIFIED, POWER INDUCTOR,
DIMENSIONS IN INCHES [MM], READ FROM BOTTOM UP

CODE IDENT	MFG. P/N	DESCRIPTION	ITEM NO.
AUTOCAD SOLIDWORKS SIGN	X	PARTS LIST	
DATE	DATE	CWS Coil Winding Specialist 1510 E. Edinger Ave Unit B, Santa Ana, CA 92705	
DATE	DATE	Power Chokes Vertical Mount	
DATE	DATE	SIZE DIM. IN.	REV
12/11/04	12/11/04	B	A
12/11/04	12/11/04	PV-103-05	
12/11/04	12/11/04	SCALE	
		2=1	
		SHEET 1 OF 1	