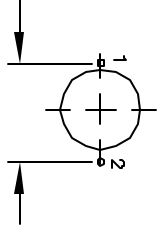
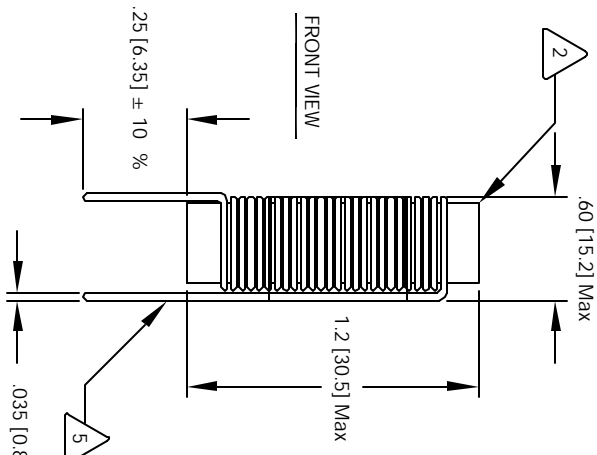


The information contained in this drawing is the sole property of CWS Coil Winding Specialist. Any reproduction in part or whole without written permission of CWS Coil Winding Specialist is prohibited.

REVISION HISTORY			
REV	ECN	DESCRIPTION	DATE
A		PRODUCTION RELEASE	1/16/05



Mounting Holes Pattern

- 1 MATERIAL: WIRE INSULATION - UL RECOGNIZED 94V-0 FOR FLAMMABILITY
- 2 RATING CLASS B (130°C) REQUIRED
- 3 WIRE: UL RECOGNIZED 130°C RATED MAGNET WIRE
CWS BYTEMARK OR OTHER APPROVED PART
CORE: MANGANESE ZINC FERRITE ROD
- 4 WIND COILS EVENLY SPACED
- 5 CONSTRUCTION:
MAX TEMP RISE AT MAX CURRENT = 40 °C
HI-POT TEST FOR CORE TO WINDING = 500 VDC
DCR = 110 MILLI-OHMS MAX @ 25 °C
SATURATION CURRENT = 5 AMPS
L = 180 uH ± 10% , 15.75 KHz, 0.1 Vrms, 0 ADC;
SPECIFICATIONS: MAX RMS (DC) CURRENT = 5 AMPS
- 6 EPOXY LEADS TO CORE
.05" ABOVE THE CORE EDGE, AND
REMOVE INSULATION AND TIN LEADS

INDUCTANCE DROPS 10% FROM ZERO ADC VALUE
SATURATION CURRENT IS THE CURRENT AT WHICH THE
TEMP. RISE ABOVE AMBIENT OF 25 °C.
MAX DC CURRENT IS AVERAGE CURRENT FOR 40 °C
NOTES:
DIMENSIONS IN INCHES [MM]. READ FROM BOTTOM UP

CODE IDENT	MFG. P/N	DESCRIPTION	ITEM NO.
AUTOCAD SOLIDWORKS SIGN	X	PARTS LIST	
DATE	DATE	CWS Coil Winding Specialist 1510 E. Edinger Ave Unit B, Santa Ana, CA 92705	
DRAWN TKK	1/16/05	Power Chokes	
CHKD JLAU	1/16/05	Vertical Mount	
ENGR KSUN	1/16/05	SIZE DIM. IN.	REV A
APPR. JLAU	1/16/05	B	PV-184-05
DO NOT SCALE DRAWING		SCALE 2=1	SHEET 1 OF 1