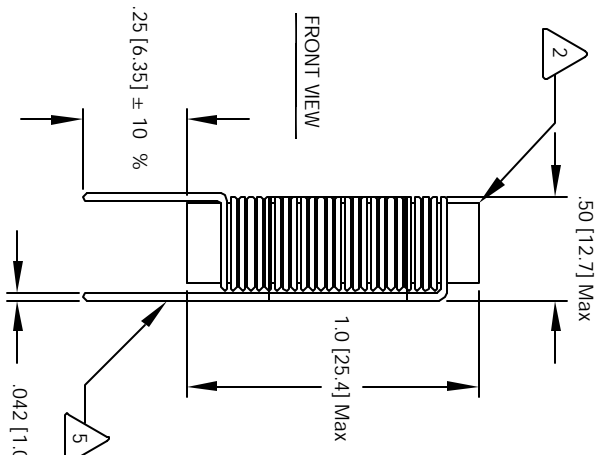


The information contained in this drawing is the sole property of CWS Coil Winding Specialist. Any reproduction in part or whole without written permission of CWS Coil Winding Specialist is prohibited.

REVISION HISTORY			
REV	ECN	DESCRIPTION	DATE
A		PRODUCTION RELEASE	1/13/05



- 1 INDUCTANCE DROPS 10% FROM ZERO ADC VALUE SATURATION CURRENT IS THE CURRENT AT WHICH THE TEMP. RISE ABOVE AMBIENT OF 25 °C.
- 2 MAX DC CURRENT IS AVERAGE CURRENT FOR 40 °C NOTES:
- 3 EPOXY LEADS TO CORE
- 4 .05" ABOVE THE CORE EDGE, AND REMOVE INSULATION AND TIN LEADS
- 5 WIND COILS EVENLY SPACED
- 6 CONSTRUCTION:

- 1 MAX TEMP RISE AT MAX CURRENT = 40 °C  
HI-POT TEST FOR CORE TO WINDING = 500 VDC  
DCR = 23 MILLI-OHMS MAX @ 25 °C  
SATURATION CURRENT = 5 AMPS  
L = 22 uH ± 10%, 15.75 KHZ, 0.1 Vrms, 0 ADC;
- 2 SPECIFICATIONS: MAX RMS (DC) CURRENT = 5 AMPS  
WIRE: UL RECOGNIZED 130°C RATED MAGNET WIRE  
CWS BYTE-MARK OR OTHER APPROVED PART  
CORE: MANGANESE ZINC FERRITE ROD
- 3 RATING CLASS B (130°C) REQUIRED  
MATERIAL: WIRE INSULATION - UL RECOGNIZED 94V-0 FOR FLAMMABILITY

NOTES: UNLESS OTHERWISE SPECIFIED, POWER INDUCTOR, DIMENSIONS IN INCHES [MM], READ FROM BOTTOM UP

UNLESS OTHERWISE SPECIFIED	
DRAWING AND TOLERANCE PER FIG 11.5M	
ALL DIMENSIONS ARE IN NOTES AND DIMENSIONS	
TOLERANCE INCHES	±.0030
TOLERANCE METERS	±.0750
ANGLE PROJECTION	1ST ANGLE
DO NOT SCALE DRAWING	

CODE IDENT	MFG. P/N	DESCRIPTION	ITEM NO.
AUTOCAD SOLIDWORKS SIGN	X	<b>PARTS LIST</b>	
DATE		<b>CWS Coil Winding Specialist</b>	
DATE		1510 E. Edinger Ave	
DATE		Unit B, Santa Ana, CA, 92705	
DATE		<b>Power Chokes</b>	
DATE		<b>Vertical Mount</b>	
DATE		SIZE DIM. IN.	REV
DATE		<b>B</b>	<b>A</b>
DATE		PV-223-05	
DATE		SCALE <b>2=1</b>	SHEET <b>1</b> OF <b>1</b>