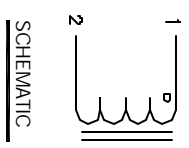
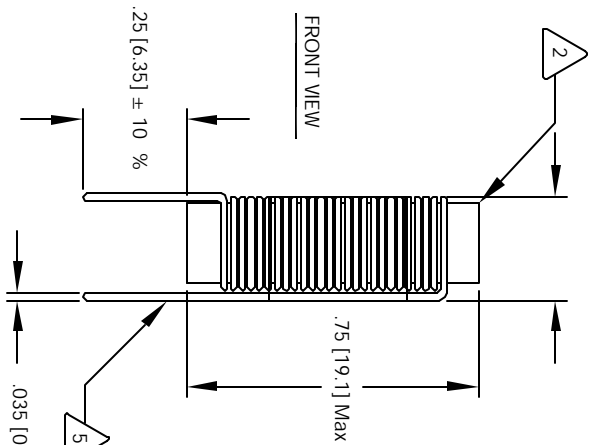


The information contained in this drawing is the sole property of CWS Coil Winding Specialist. Any reproduction in part or whole without written permission of CWS Coil Winding Specialist is prohibited.

REVISION HISTORY			
REV	ECN	DESCRIPTION	DATE
A		PRODUCTION RELEASE	12/11/04

VERTICAL MOUNT  
 .50 [12.7] Max



INDUCTANCE DROPS 10% FROM ZERO ADC VALUE SATURATION CURRENT IS THE CURRENT AT WHICH THE TEMP. RISE ABOVE AMBIENT OF 25 °C.  
 MAX DC CURRENT IS AVERAGE CURRENT FOR 40 °C NOTES:  
 LEADS MUST BE TANGENT TO THE CORE  
 .05" ABOVE THE CORE EDGE, AND  
 REMOVE INSULATION AND TIN LEADS

- 5 WIND COILS EVENLY SPACED
- 4 CONSTRUCTION:

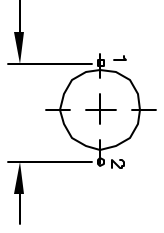
MAX TEMP RISE AT MAX CURRENT = 40 °C  
 HI-POT TEST FOR CORE TO WINDING = 500 VDC  
 DCR = 21 MILLI-OHMS MAX @ 25 °C  
 SATURATION CURRENT = 3 AMPS  
 L = 4.7 uH ± 15% . 15.75 KHZ, 0.1 Vrms, 0 ADC;  
 SPECIFICATIONS: MAX RMS (DC) CURRENT = 3 AMPS

- 3 WIRE: UL RECOGNIZED 130°C RATED MAGNET WIRE  
 CWS BYTE-MARK OR OTHER APPROVED PART  
 CORE: MANGANESE ZINC FERRITE ROD

- 2 RATING CLASS B (130°C) REQUIRED
- 1 MATERIAL: WIRE INSULATION - UL RECOGNIZED 94V-0 FOR FLAMMABILITY

NOTES: UNLESS OTHERWISE SPECIFIED, POWER INDUCTOR, DIMENSIONS IN INCHES [MM], READ FROM BOTTOM UP

MOUNTING HOLES PATTERN



UNLESS OTHERWISE SPECIFIED	
TOLERANCING AND DIMENSIONS ARE IN INCHES	
TOLERANCE PER ANSI Y14.5M	
ALL DIMENSIONS ARE IN NOTES AND DIMENSIONS ARE IN NOTES	
TOLERANCE INCHES	±.005
TOLERANCE METERS	±.127
ANGLE PROJECTION	AS SHOWN
DO NOT SCALE DRAWING	

CODE IDENT	MFG. P/N	DESCRIPTION	ITEM NO.
AUTOCAD SOLIDWORKS SIGN	X	PARTS LIST	
DATE	DATE	CWS Coil Winding Specialist	
12/11/04	12/11/04	1510 E. Edinger Ave	
12/11/04	12/11/04	Unit B, Santa Ana, CA 92705	
12/11/04	12/11/04	Power Chokes	
12/11/04	12/11/04	Vertical Mount	
12/11/04	12/11/04	PV-472-03	REV A
12/11/04	12/11/04	SIZE: DIM. IN. B	REV A
12/11/04	12/11/04	SCALE: 2=1	
12/11/04	12/11/04	SHEET 1 OF 1	