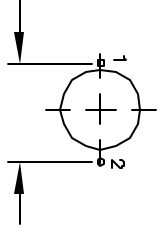
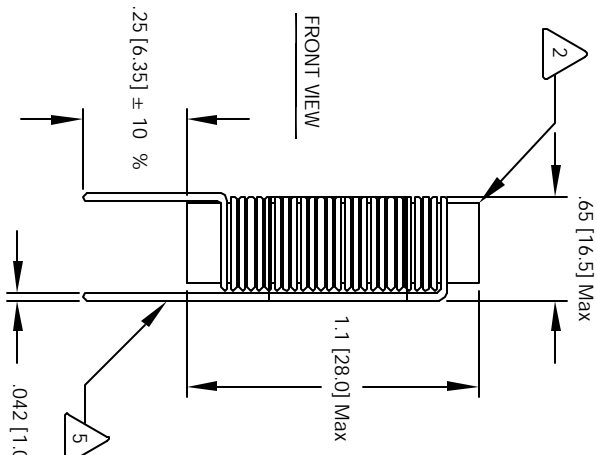


The information contained in this drawing is the sole property of CWS Coil Winding Specialist. Any reproduction in part or whole without written permission of CWS Coil Winding Specialist is prohibited.

| REVISION HISTORY | | | |
|------------------|-----|--------------------|---------|
| REV | ECN | DESCRIPTION | DATE |
| A | | PRODUCTION RELEASE | 1/14/05 |



2
MOUNTING HOLES PATTERN

- 1 MATERIAL: WIRE INSULATION - UL RECOGNIZED 94V-0 FOR FLAMMABILITY
- 2 RATING CLASS B (130°C) REQUIRED
- 3 WIRE: UL RECOGNIZED 130°C RATED MAGNET WIRE
CWS BYTEMARK OR OTHER APPROVED PART
CORE: MANGANESE ZINC FERRITE ROD
- 4 WIND COILS EVENLY SPACED
- 5 CONSTRUCTION:
MAX TEMP RISE AT MAX CURRENT = 40 °C
HI-POT TEST FOR CORE TO WINDING = 500 VDC
DCR = 35 MILLI-OHMS MAX @ 25 °C
SATURATION CURRENT = 5 AMPS
L = 47 uH ± 10%, 15.75 KHZ, 0.1 Vrms, 0 ADC;
SPECIFICATIONS: MAX RMS (DC) CURRENT = 5 AMPS
- 6 EPOXY LEADS TO CORE
.05" ABOVE THE CORE EDGE, AND
REMOVE INSULATION AND TIN LEADS

INDUCTANCE DROPS 10% FROM ZERO ADC VALUE
SATURATION CURRENT IS THE CURRENT AT WHICH THE
TEMP. RISE ABOVE AMBIENT OF 25 °C.
MAX DC CURRENT IS AVERAGE CURRENT FOR 40 °C
NOTES:
DIMENSIONS IN INCHES [MM]. READ FROM BOTTOM UP

| | |
|---|----------------------|
| UNLESS OTHERWISE SPECIFIED | DO NOT SCALE DRAWING |
| DRAWING AND TOLERANCE PER ANSI Y14.5M | |
| ALL DIMENSIONS ARE IN INCHES AND [MILLIMETERS] | |
| TOLERANCE INCHES: .005 ± .002, .015 ± .003, .127 ± .005 | |
| TOLERANCE METERS: .005 ± .002, .015 ± .003 | |
| ANGLE PROJECTION | |

| CODE IDENT | MFG. P/N | DESCRIPTION | ITEM NO. |
|-------------------------|----------|--|----------------------------|
| AUTOCAD SOLIDWORKS SIGN | X | PARTS LIST | |
| DATE | DATE | CWS Coil Winding Specialist. 1510 E. Edinger Ave. Unit B, Santa Ana, CA, 92705 | |
| DRAWN TKK | 1/14/05 | Power Chokes | |
| CHKD JLAU | 1/14/05 | Vertical Mount | |
| ENGR KSUN | 1/14/05 | SIZE DIM. IN. | REV |
| APPR. JLAU | 1/14/05 | B | A |
| | | SCALE 2=1 | SHEET 1 OF 1 |