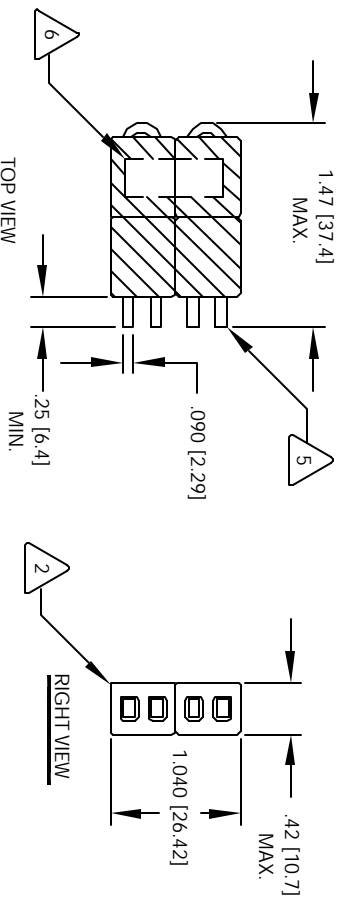
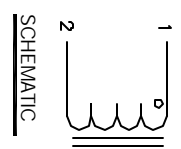


The information contained in this drawing is the sole property of CWS Coil Winding Specialist. Any reproduction in part or whole without written permission of CWS Coil Winding Specialist is prohibited.

REVISION HISTORY			
REV	ECN	DESCRIPTION	DATE
0		PRODUCTION RELEASE	7/11/04



- 6 WRAP KAPTON TAPE OVER CORE FOR INSULATION
- 5 LEAD LENGTH .33 INCH TINNED TO THE BASE  
REMOVE INSULATION AND TIN LEADS APPROX. 0.25 INCH
- 4 WIND BOTH COILS EVENLY SPACED

3 HI-POT TEST FOR WINDING TO CORE = 1250 VDC  
CURRENT RATING = 100 AMPS DC, MAX.  
DCR = 1.4 MILLI-OHMS, MAX.  
L = MEASURED AT 1.4 uH ± 20% WITH CENTER LEGS CONNECTED  
SPECIFICATIONS:

2 OUTER WRAP: 3M KAPTON TAPE  
WIRE: UL RECOGNIZED 200° RATED MAGNET WIRE  
CWS BYTEMARK OR OTHER APPROVED PART  
CORE: COATED 10MM MPP SQUARE BALUN CORE

1 WIRE INSULATION RATING : 200° C REQUIRED  
MATERIAL: UL RECOGNIZED 94V-0 FOR FLAMMABILITY

NOTES: UNLESS OTHERWISE SPECIFIED.

UNLESS OTHERWISE SPECIFIED		AUTOCAD X	
DIMENSIONS ARE IN INCHES AND MILLIMETERS		SOLIDWORKS SIGN	
TOLERANCE RANGES ARE IN NOTES		DATE	
TOLERANCE RANGES ARE IN NOTES		DRAWN RFR 7/11/04	
TOLERANCE RANGES ARE IN NOTES		CHECK JLAU 7/11/04	
TOLERANCE RANGES ARE IN NOTES		ENGR KSUM 7/11/04	
TOLERANCE RANGES ARE IN NOTES		APPR JLAU 7/11/04	
TOLERANCE RANGES ARE IN NOTES		DATE	
TOLERANCE RANGES ARE IN NOTES		SIZE DIM. IN. B	
TOLERANCE RANGES ARE IN NOTES		SCALE 1=1	
TOLERANCE RANGES ARE IN NOTES		SHEET 1 OF 1	

QTY	CODE	IDENT	MFG. P/N	DESCRIPTION	ITEM NO.
6.0°	ESSEX	80-0118-0224-00		RECT. MAGNETIC WIRE	3
5°	LODEST	31-0092-0100-00		KAPTON TAPE 1" WIDTH	2
4	CWS	18-0155-0125-00		10mm IND. MPP, 125uH	1

PARTS LIST

CWS Coil Winding Specialist  
1510 E. Edinger Ave  
Unit B, Santa Ana, CA 92705  
www.cwswind.com

100 Amps Differential  
Mode Inductor

CWS-150216